

SPECIFICATIONS

Housing: Thermoplastic UL94V-0
 Contact/Shield: Copper Alloy
 Shield Plating: Nickel
 Contact Plating: Gold 6 micro-inches
 Solder Tip Temp: 265C @ 5 Sec Max.

LED Color Codes	
Code	LED
R	Red
G	Green
Y	Yellow
O	Orange
A	Amber
D	Red/Green
E	Red/Yellow
W	Yellow/Green
P	Orange/Green
K	Blank

Panel Grounds (X)	
Blank	None
1,2	Top
4	Sides
6	Both

Series	Positions	Contacts	Body Style	LED	Color	Plating	Options
CTJ	X	0X	M19201	LXX	XX	PX	XX
Modular jack, single position	8	08	Side entry top latch. See drawing	L=LEDs XX=Left/Right (see chart)	BK=Black GY=Gray	P0=6μ" P1=15μ" P2=30μ" P3=50μ"	Blank=None FSX=Full shield (see chart) MS=Shielded face SM=Surface mount

RoHS compliant

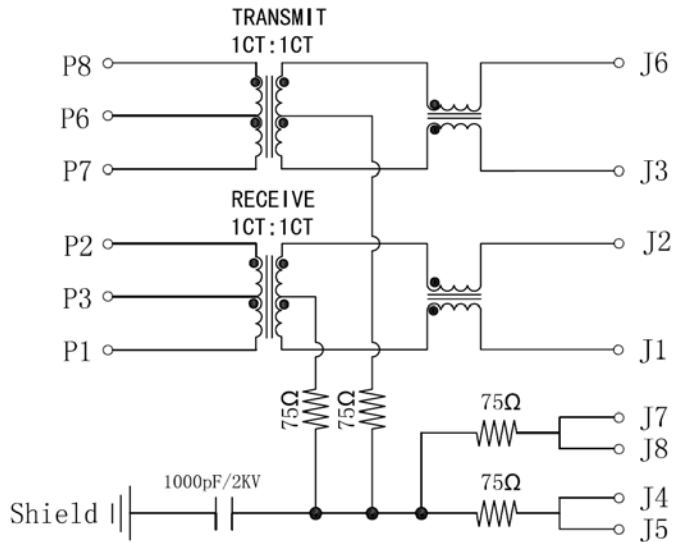
Rev.	Description	Date	Approved	Drawing	Name	Date
				Approved	Howard	10/08/09
				Checked	Lizzy	10/08/09
				Drawn	Tina	10/08/09
				0.0 ± 0.35	0.00 ± 0.20	Angles ± 3'
				UNIT: mm		

Central Components Manufacturing
 440 Lincoln Blvd., Middlesex, New Jersey 08846
 Phone 732 469-5720 888 288-5152 Fax 732 469-1919

Part No.: CTJ-8-08-M19201LYG-BK-PX-FS-SM

Description: Mag jack, 8P/8C shielded with LEDs

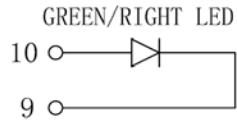
PCB SIDE TO PHY



CABLE SIDE

ELECTRICAL SPECIFICATIONS

Turns Ratio ($\pm 2\%$):	TX=1CT:1CT	RX=1CT:1CT
350uH Min OCL with 8mA bias current		
Return Loss (dB Min @100Ω):	1-60MHz: -14	60-100MHz: -10
Crosstalk:	1-80MHz: -35dB Min	
Insertion Loss:	1-80MHz: -1.0	100MHz: -1.2
IR Reflow Peak Temperature:	260 degc.	
Isolation Voltage:	1500Vrms Min	
Operating Temperature:	0~70C	



Rev.	Description	Date	Approved	Drawing	Name	Date
				Approved	Howard	10/08/09
				Checked	Lizzy	10/08/09
				Drawn	Tina	10/08/09
				0.0 ± 0.35	0.00 ± 0.20	Angles ± 3'
				UNIT: mm		

Central Components Manufacturing
 440 Lincoln Blvd., Middlesex, New Jersey 08846
 Phone 732 469-5720 888 288-5152 Fax 732 469-1919

Part No.: **CTJ-8-08-M19201LYG-BK-PX-FS-SM**

Description: Mag jack, 8P/8C shielded with LEDs

G

G