

**SPECIFICATIONS**

Housing: Thermoplastic UL94V-0  
 Contact/Shield: Copper Alloy  
 Shield Plating: Nickel  
 Contact Plating: Gold 6 micro-inches min. in contact area  
 Wave Solder Tip Temp: 265°C Max @ 5 Sec Max.

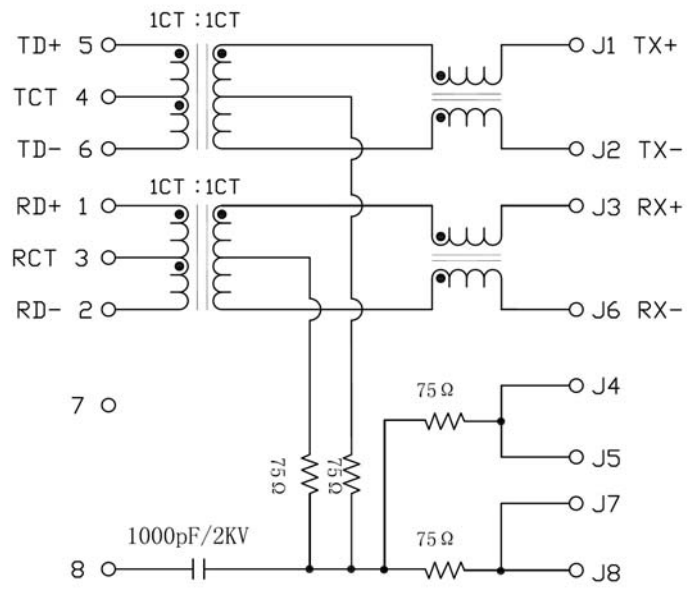
Series	Positions	Contacts	Style	Color	Plating	Shield/Panel Grounds
CTJ	8	08	M16264A2LGY	BK	PX	FSX
Modular jack	8 positions	8 contacts	Side entry shielded mag jack with Green & Yellow LEDs	BK=Black	Gold P0=6u" P1=15µ" gold P2=30µ" gold P3=50µ" gold	FS=Full Shield X (Panel Grounds) Blank=None 2=Top 4=Sides 6=Top & Sides

RoHS compliant

Rev.	Description	Date	Approved	Drawing	Name	Date
				Approved	Howard	03/05/11
				Checked	Lizzy	03/05/11
				Drawn	Tina	03/05/11
				0.0 ± 0.35	0.00 ± 0.20	Angles ± 3°
				UNIT: mm		

**Central Components Manufacturing**  
 440 Lincoln Blvd., Middlesex, New Jersey 08846  
 Phone 732 469-5720 888 288-5152 Fax 732 469-1919

Part No.: **CTJ-8-08-M16264A2LGY-BK-PX-FS6**  
 Description: RJ45 Connector With 10/100 Base-TX Integrated Magnetic Tab Up



**ELECTRICAL SPECIFICATIONS**  
 Turns Ratio ( $\pm 2\%$ ): TX=1CT:1CT RX=1CT:1CT  
 Primary Inductance: 350uH Min @100KHz, 0.1Vrms, 8mA DC bias  
 Insertion Loss: 0.5-100MHz: -1.1dB Max  
 Return Loss (dB Min): 0.5-30MHz: -18; 30.1-60MHz: [-18-20LOG (f/30)]  
 60.1-80MHz: -12  
 Crosstalk (dB Min): 0.5-40MHz: -35  
 40.1-100MHz: [-33-20LOG (f/50)]  
 Common Mode Rejection: 0.5-100MHz: -30dB Min  
 Hipot Test: 1500Vrms  
 Operating Temp: 0C ~ 70C



Rev.	Description	Date	Approved	Drawing	Name	Date
				Approved	Howard	03/05/11
				Checked	Lizzy	03/05/11
				Drawn	Tina	03/05/11
				0.0 ± 0.35	0.00 ± 0.20	Angles ± 3°
					UNIT: mm	

**Central Components Manufacturing**  
 440 Lincoln Blvd., Middlesex, New Jersey 08846  
 Phone 732 469-5720 888 288-5152 Fax 732 469-1919

Part No.: **CTJ-8-08-M16264A2LGY-BK-PX-FS6**

Description: RJ45 Connector With 10/100 Base-TX Integrated Magnetic Tab Up

