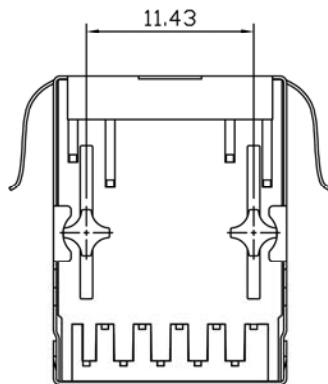


SUGGESTED PCB LAYOUT (TOP VIEW)



SPECIFICATIONS

Housing:	Thermoplastic UL94V-0
Contact/Shield:	Copper Alloy
Shield Plating:	Nickel
Contact Plating:	Gold 6 micro-inches min. in contact area
Solder Tip Temp:	265C Max @ 5 Sec Max
Operating Temp:	-40C ~ 85C

RoHS compliant

Rev.	Description	Date	Approved	Drawing	Name	Date
				Approved	Howard	10/29/14
				Checked	Lizzy	10/29/14
				Drawn	Tina	10/29/14
				0.0 ± 0.35	0.00 ± 0.20	Angles ± 3'
					UNIT: mm	

Central Components Manufacturing
 440 Lincoln Blvd., Middlesex, New Jersey 08846
 Phone 732 469-5720 888 288-5152 Fax 732 469-1919

Part No.: **CTJ-8-08-M13AHNLGY-BK-PX-FS6**

Description: RJ45 Connector with 10/100 Base-T Integrated Magnetics

