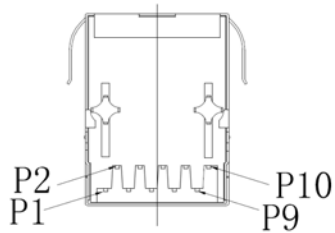


**SPECIFICATIONS**

Housing: Thermoplastic Black, UL94V-0  
 Shield: Brass, Nickel Plating  
 Contact: Phosphor Bronze  
 Contact Plating: Selective Gold  
 Soldering Temp: 260°C @ 10 Secs Max  
 Operating Temp: 0°C to +70°C  
 Storage Temp: 40°C to +85°C



UNIT : mm / inch  
 A = 15.90 / 0.626  
 B = 13.63 / 0.537  
 C = 21.35 / 0.841  
 D = 3.50 / 0.137

Series	Positions	Contacts	Style	Color	Plating	Shield/Panel Grounds
CTJ	8	08	M10360	BK	PX	FSX
Modular jack	8 positions	8 contacts	1000 Base-T 1 Port	BK=Black	Gold P0=6u" P1=15μ" gold P2=30μ" gold P3=50μ" gold	FS=Full Shield X (Panel Grounds) Blank=None 2=Top 4=Sides 6=Top & Sides

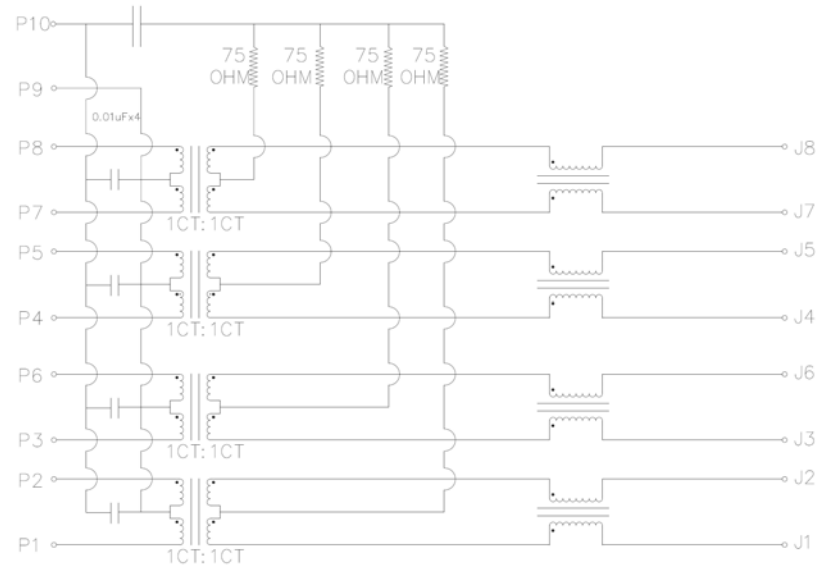
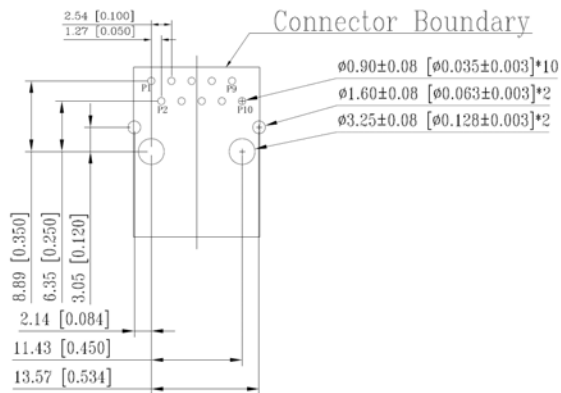
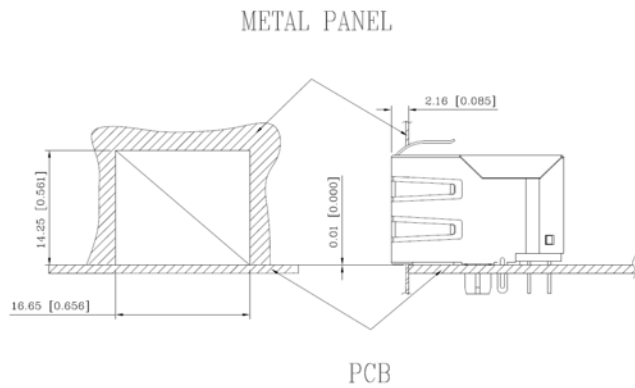
**RoHS compliant**

Rev.	Description	Date	Approved	Drawing	Name	Date
				Approved	Howard	03/05/11
				Checked	Lizzy	03/05/11
				Drawn	Tina	03/05/11
				0.0 ± 0.35	0.00 ± 0.20	Angles ± 3°
				UNIT: mm		

**Central Components Manufacturing**  
 440 Lincoln Blvd., Middlesex, New Jersey 08846  
 Phone 732 469-5720 888 288-5152 Fax 732 469-1919

Part No.: **CTJ-8-08-M10360-BK-PX-FS6**

Description: RJ45 ICM (1000 Base-T 1 Port)



Turn Ratio @100KHz: (P1-P2):(J1-J2)=1:1±5%  
(P3-P6):(J3-J6)=1:1±5%  
(P4-P5):(J4-J5)=1:1±5%  
(P7-P8):(J7-J8)=1:1±5%

Primary Inductance: 350uH Min @100KHZ, 0.1V 8mA DC Bias  
DC Resistance: 1.2 Ohms Max.  
Insertion Loss: 1-100MHz -1.0dB Min  
100-125MHz -1.2dB Min

Return Loss: 1-40MHz -16dB Max  
40-60MHz -12dB Max  
60-80MHz -10dB Max  
80-100MHz -8dB Max

Cross Talk: 1-100MHz -30dB Max  
Common Mode Attenuation: 1-100MHz -30dB Min  
Isolation: Phy Side to Line Side: 2250VDC

Rev.	Description	Date	Approved	Drawing	Name	Date
				Approved	Howard	03/05/11
				Checked	Lizzy	03/05/11
				Drawn	Tina	03/05/11
				0.0 ± 0.35	0.00 ± 0.20	Angles ± 3°
					UNIT: mm	

**Central Components Manufacturing**  
440 Lincoln Blvd., Middlesex, New Jersey 08846  
Phone 732 469-5720 888 288-5152 Fax 732 469-1919

Part No.: **CTJ-8-08-M10360-BK-PX-FS6**

Description: RJ45 ICM (1000 Base-T 1 Port)