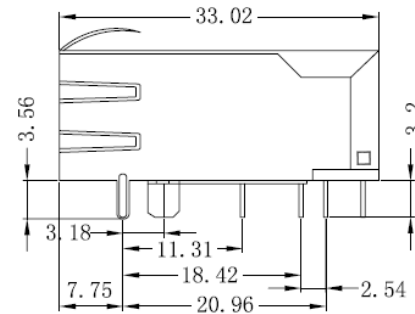
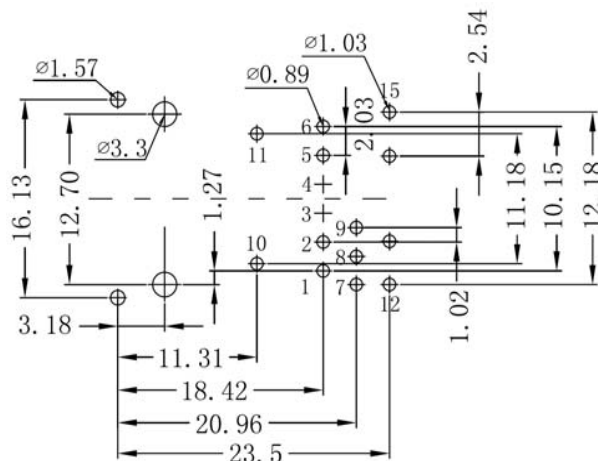


SPECIFICATIONS

Housing: Thermoplastic UL94V-0
 Contact/Shield: Copper Alloy
 Shield Plating: Nickel
 Contact Plating: Gold 6u" min. in contact area
 Wave Solder Temp: 265C Max @ 5 Seconds Max



SUGGESTED PCB LAYOUT (TOP VIEW)

Series	Positions	Contacts	Body Style	Color	Plating	Options	Panel Grounds
CTJ	8	08	M1014LGW	BK	PX	XX	PGX
Modular Jack	8 Positions	8 Contacts	M1014LGW Style	BK=Black	P1=15u" gold P2=30u" gold P3=50u" gold	[blank]=None FS=Full Shield	2=Top 4=Sides 6=Top & Sides

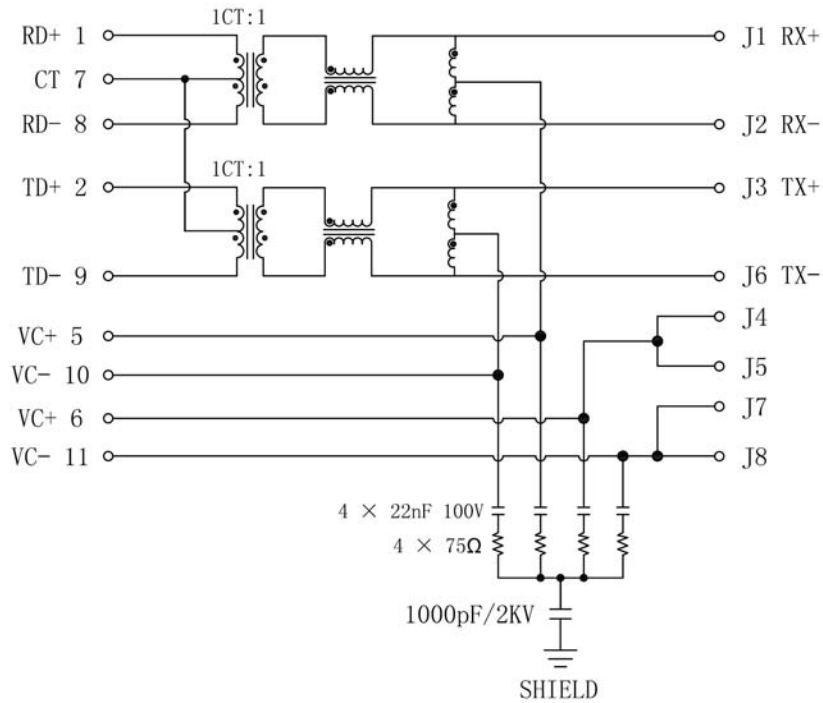
RoHS compliant

Rev.	Description	Date	Approved	Drawing	Name	Date
				Approved	Howard	10/05/06
				Checked	Lizzy	10/05/06
				Drawn	Tina	10/05/06
				0.0 ± 0.35	0.00 ± 0.20	Angles ± 3'
					UNIT: mm	

Central Components Manufacturing
 440 Lincoln Blvd., Middlesex, New Jersey 08846
 Phone 732 469-5720 888 288-5152 Fax 732 469-1919

Part No.: **CTJ-8-08-M1014LGW-BK-PX-FS6**

Description: RJ45 Connector With 10/100 Base-TX Integrated Magnetics & POE



SPECIFICATIONS
 OCL: 250uH Min
 @100KHz, 100mV, 8mA bias current

Turns Ratio ($\pm 2\%$):
 TX=1CT:1 RX=1CT:1

Insertion Loss:
 0.1-100MHz: -1.5dB Max

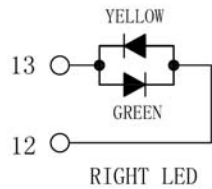
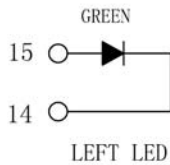
Return Loss:
 2-30MHz: -16Min
 60-80MHz: -10 Min

Crosstalk:
 0.1-100MHz: -10 Min

Balanced DC Line Current:
 350mA Max @ 57 VDC Continuous
 500mA Max @ 57 VDC for 200 Millseconds

Hipot: 1500Vrms

Operating Temperature: 0°C ~ 70°C



Rev.	Description	Date	Approved	Drawing	Name	Date
				Approved	Howard	10/05/06
				Checked	Lizzy	10/05/06
				Drawn	Tina	10/05/06
				0.0 ± 0.35	0.00 ± 0.20	Angles ± 3'
					UNIT: mm	

Central Components Manufacturing
 440 Lincoln Blvd., Middlesex, New Jersey 08846
 Phone 732 469-5720 888 288-5152 Fax 732 469-1919

Part No.: **CTJ-8-08-M1014LGW-BK-PX-FS6**

Description: RJ45 Connector With 10/100 Base-TX Integrated Magnetics & POE