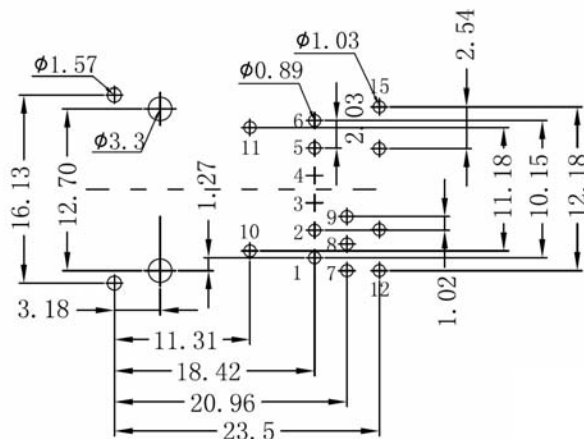
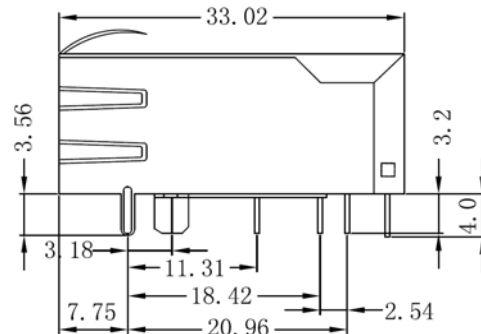


SPECIFICATIONS

Meets IEEE 802.3 Specifications
 Housing: Thermoplastic UL94V-0
 Contact/Shield: Copper Alloy
 Shield Plating: Nickel
 Contact Plating: Gold
 Wave Solder Temp: 265°C Max, 5 Sec Max.



SUGGESTED PCB LAYOUT (TOP VIEW)



LED Color Codes	
Code	LED
R	Red
G	Green
Y	Yellow
O	Orange
A	Amber
D	Red/Green
E	Red/Yellow
W	Yellow/Green
P	Orange/Green
K	Blank

Panel Grounds (X)	
Blank	None
1,2	Top
4	Sides
6	Both

Series	Positions	Contacts	Body Style	LED	Ground tab offset	Color	Plating	Options
CTJ	8	08	M1013	LXX	E1	BK	PX	XX
Modular jack, single position	8	8	See diagram	L=LEDs XX=Left/Right (see chart)	3.18	Black	P0=6μ" P1=15μ" P2=30μ" P3=50μ"	Blank=None FSX=Full shield (see chart)

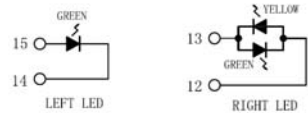
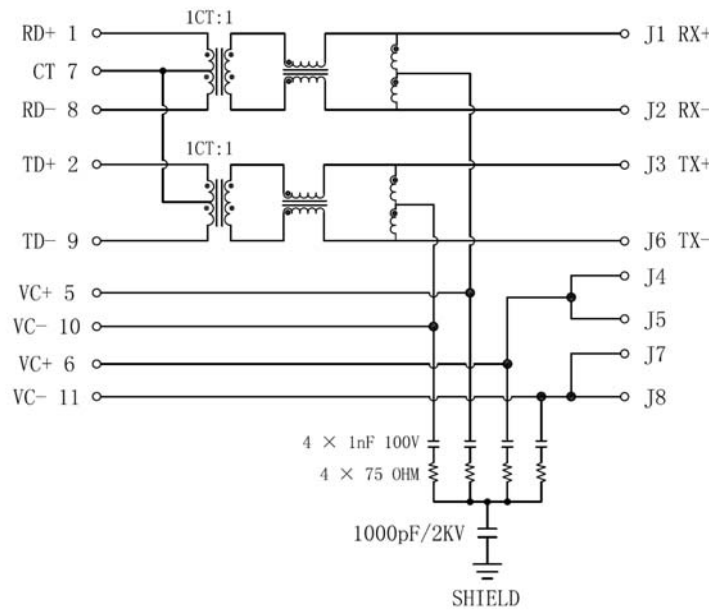
RoHS compliant

Rev.	Description	Date	Approved	Drawing	Name	Date
				Approved	Howard	04/26/10
				Checked	Lizzy	04/26/10
				Drawn	Tina	04/26/10
				0.0 ± 0.35	0.00 ± 0.20	Angles ± 3'
				UNIT: mm		

Central Components Manufacturing
 440 Lincoln Blvd., Middlesex, New Jersey 08846
 Phone 732 469-5720 888 288-5152 Fax 732 469-1919

Part No.: **CTJ-8-08-M1013LGW-BK-PX-FS6**

Description: RJ45 connector with 10/100 base TX integrated magnetic. For PoE application



ELECTRICAL SPECIFICATIONS

OCL: 350uH min
 @100KHz, 100mV, 8mA bias current

Turns Ratio ($\pm 2\%$):
 TX=1CT:1 RX=1CT:1

Insertion Loss:
 0.1-100MHz:-1.5dB Max

Return Loss:
 2-30MHz:-16 Min
 60-80MHz:-10 Min

Crosstalk:
 0.1-100MHz:-30dB Min

Balanced DC Line Current:
 350mA Max @ 57 VDC Continuous
 500mA Max @ 57 VDC for 200 Milliseconds

Hipot: 1500V
 Operating Temp: 0°C ~ 70°C

Rev.	Description	Date	Approved	Drawing	Name	Date
				Approved	Howard	04/26/10
				Checked	Lizzy	04/26/10
				Drawn	Tina	04/26/10
				0.0 ± 0.35	0.00 ± 0.20	Angles ± 3'
				 UNIT: mm		

Central Components Manufacturing
 440 Lincoln Blvd., Middlesex, New Jersey 08846
 Phone 732 469-5720 888 288-5152 Fax 732 469-1919

Part No.: **CTJ-8-08-M1013LGW-BK-PX-FS6**

Description: RJ45 connector with 10/100 base TX integrated magnetic. For PoE application