

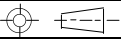
2007/12/20

SUGGESTED PCB LAYOUT (TOP VIEW)

SPECIFICATIONS
 Housing Material: Thermoplastic UL94V-0
 Contact Shield: Copper Alloy, Nickel Plating
 Contact Plating: Gold 6 micro-inches min. in contact area
 Wave Solder Temp: 260C at 5 Sec Max.

Series	Positions	Contacts	Style	LED	Color	Plating	Options	Panel Grounds
CTJ	8	08	M1011L	GY	BK	PX	XX	PGX
Modular jack	8 positions	8 contacts	M1011L Body Style/Magnetic	Y=Yellow LED (right) G=Green LED (left)	BK=Black	P1=15μ" gold P2=30μ" gold P3=50μ" gold	[blank]=None FS=Full shield	Blank=None 1=Top (single) 2=Top 4=Sides 6=Top & sides

RoHS compliant

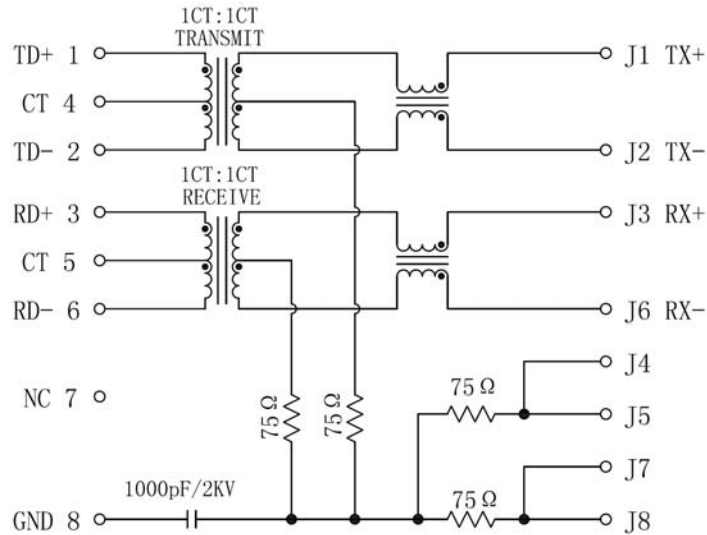
Rev.	Description	Date	Approved	Drawing	Name	Date
				Approved	Howard	01/24/11
				Checked	Lizzy	01/24/11
				Drawn	Tina	01/24/11
				0.0 ± 0.35	0.00 ± 0.20	Angles ± 3'
				 UNIT: mm		

Central Components Manufacturing
 440 Lincoln Blvd., Middlesex, New Jersey 08846
 Phone 732 469-5720 888 288-5152 Fax 732 469-1919

Part No.: **CTJ-8-08-M1011LGY-BK-PX-FS**

Description: Vertical RJ45 Connector with 10/100 Magnetics

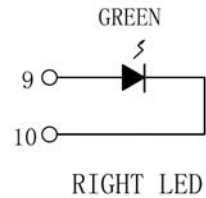
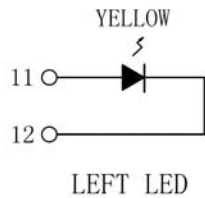
PCB SIDE TO PHY



CABLE SIDE

SPECIFICATIONS

Turn Ratio ($\pm 2\%$):	TX=1CT:1CT	RX=1CT:1CT
Inductance OCL:	250uH Min @100KHz, 0.1V,8mA DC Bias	
Insertion Loss:	-1.1dB Max@0.1~100MHz	
Return Loss:	-18dB Min @ 0.5~30MHz	
	-15.5dB Min @ 40MHz	
	-13.6dB Min @ 50MHz	
	-12dB Min @ 60~80MHz	
Cross Talk:	-40dB TYP @ 0.1~100MHz	
Common Mode Rejection:	-50dB TYP @ 0.1~30MHz	
	-40dB TYP @ 30~60MHz	
	-35dB TYP @ 60~100MHz	
Hipot Test:	1500Vrms Min	
Operating Temperature:	0C ~ 70C	



Rev.	Description	Date	Approved	Drawing	Name	Date
				Approved	Howard	01/24/11
				Checked	Lizzy	01/24/11
				Drawn	Tina	01/24/11
				0.0 ± 0.35	0.00 ± 0.20	Angles ± 3'
					UNIT: mm	

Central Components Manufacturing
 440 Lincoln Blvd., Middlesex, New Jersey 08846
 Phone 732 469-5720 888 288-5152 Fax 732 469-1919

Part No.: **CTJ-8-08-M1011LGY-BK-PX-FS**

Description: Vertical RJ45 Connector with 10/100 Magnetics