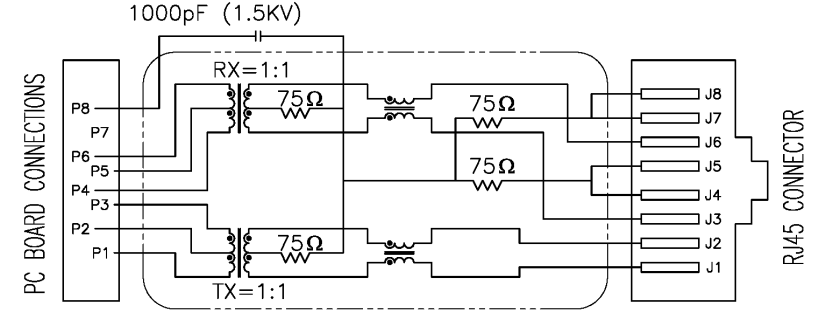


SPECIFICATIONS

Contact material: Phosphor bronze
 Contact plating: Gold over nickel
 Housing material: High temperature thermoplastic, UL94V-0, black
 Shield material: Brass
 Shield plating: Nickel alloy



RoHS compliant

Series	Positions	Contacts	Style	Color	Plating	Options
CTJ	8	08	M02H	BK	XX	XX
Ganged modular jack	8=8 positions	08=8 contacts	Side entry, bottom tab, type 02 magnetics	BK=Black	P1=15μ" gold P2=30μ" gold P3=50μ" gold	[blank]=None FS=Full shield

Rev.	Description	Date	Approved	Drawing	Name	Date
				Approved	Howard	08/10/03
				Checked	Lizzy	08/10/03
				Drawn	Tina	08/10/03
				0.0 ± 0.35	0.00 ± 0.20	Angles ± 3'
				UNIT: mm		

Central Components Manufacturing
 440 Lincoln Blvd., Middlesex, New Jersey 08846
 Phone 732 469-5720 888 288-5152 Fax 732 469-1919

Part No.: **CTJ-8-08-M02H-BK-PX-FS**

Description: Modular jack, 10/100 Base T, RJ45