

SPECIFICATIONS

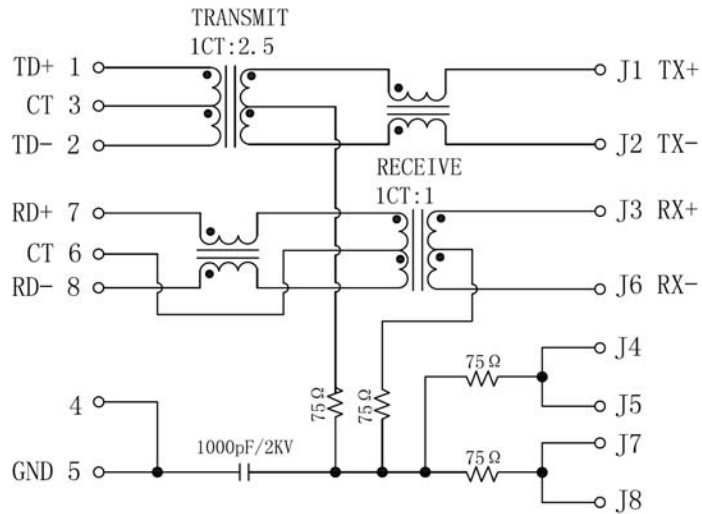
Housing:	Thermoplastic UL94V-0
Contact/Shield:	Copper Alloy
Shield Plating:	Nickel
Contact Plating:	Gold 6 micro-inches min. in contact area
Wave Solder Tip:	265C Max @ 5 Sec Max

RoHS compliant

Rev.	Description	Date	Approved	Drawing	Name	Date
				Approved	Howard	12/19/05
				Checked	Lizzy	12/19/05
				Drawn	Tina	12/19/05
				0.0 ± 0.35	0.00 ± 0.20	Angles ± 3'
				UNIT: mm		

	Central Components Manufacturing 440 Lincoln Blvd., Middlesex, New Jersey 08846 Phone 732 469-5720 888 288-5152 Fax 732 469-1919
	Part No.: CTJ-8-08-M0073LGY-BK-PX-FS Description: RJ45 Connector with 10/100 Base-T Magnetics

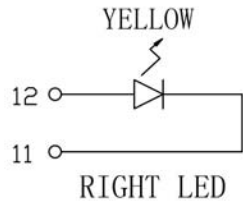
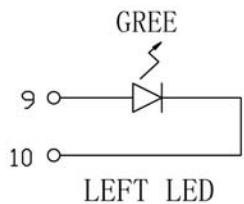
PC BOARD CONNECTIONS



RJ45 CONNECTOR

ELECTRICAL

Turns Ratio:	TX=1CT:2.5	RX=1CT:1
OCL: 350uH Min	@100KHz, 100mV, 8mA DC Bias	
Insertion Loss:	1-65MHz:	-1.0dB Max
Return Loss (dB Min):	1-10MHz:-20	10-20MHz:-16
	30-60MHz:-12	60-100MHz:-10
Crosstalk (dB Min):	1-30MHz:-40	30-60MHz:-35
	60-100MHz:-30	
CMR(dB Min):	1-50MHz:-30	50-150MHz:-20
Hipot:	1500Vrms @60Hz 1 Min	
Operating Temp:	0C~+70C	



Rev.	Description	Date	Approved	Drawing	Name	Date
				Approved	Howard	12/19/05
				Checked	Lizzy	12/19/05
				Drawn	Tina	12/19/05
				0.0 ± 0.35	0.00 ± 0.20	Angles ± 3'
					UNIT: mm	

Central Components Manufacturing
440 Lincoln Blvd., Middlesex, New Jersey 08846
Phone 732 469-5720 888 288-5152 Fax 732 469-1919

Part No.: **CTJ-8-08-M0073LGY-BK-PX-FS**

Description: RJ45 Connector with 10/100 Base-T Magnetics