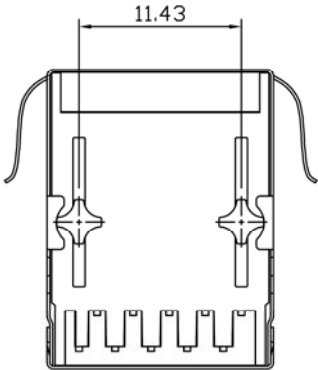


SUGGESTED PCB LAYOUT (TOP VIEW)

**SPECIFICATIONS**

Housing: Thermoplastic UL94V-0  
 Contact/Shield: Copper Alloy  
 Shield Plating: Nickel  
 Contact Plating: Gold 6 micro-inches min. in contact area  
 Wave Solder Tip Temp: 265C Max @ 5 Seconds max.



Series	Positions	Ports	Body Style	Color	Plating	Options
GCTJ	08	X	M0011	XX	PX	FS6
Ganged modular jack	08=8 positions	2, 4, 8	M0011 with magnetics	BK-Black	P1=15µ" gold P2=30µ" gold P3=50µ" gold	Full Shield w/ Top & Side Panel Grounds

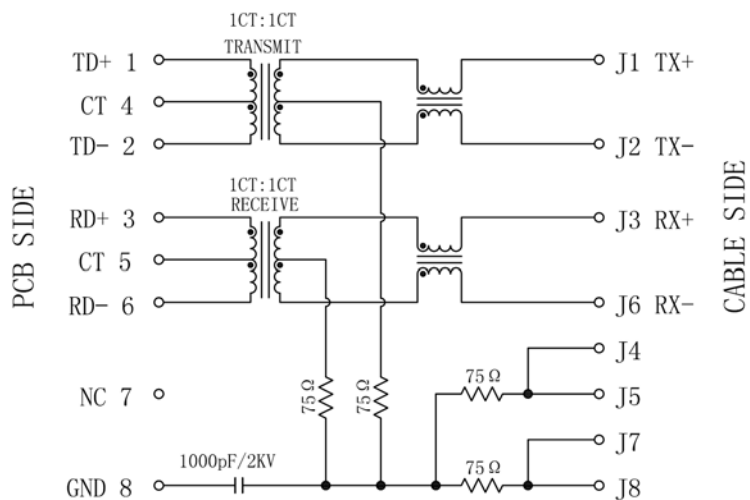
RoHS compliant

Rev.	Description	Date	Approved	Drawing	Name	Date
				Approved	Howard	08/10/03
				Checked	Lizzy	08/10/03
				Drawn	Tina	08/10/03
				0.0 ± 0.35	0.00 ± 0.20	Angles ± 3'
					UNIT: mm	

**Central Components Manufacturing**  
 440 Lincoln Blvd., Middlesex, New Jersey 08846  
 Phone 732 469-5720 888 288-5152 Fax 732 469-1919

Part No.: **CTJ-8-08-M0011-BK-PX-FS6**

Description: RJ45 Connector with 10/100 Base-T Integrated Magnetics



Turn Ratio(±2%): TX=1CT:1CT RX=1CT:1CT  
 Inductance OCL: 350uH Min@100KHz/0.1V,8mA DC Bias  
 Insertion Loss: -1.0dB Max @ 1.0-65MHz  
 Return Loss: -20dB Min @ 1-10MHz  
 -16dB Min @ 10-30MHz  
 -12dB Min @ 30-60MHz  
 -10dB Min @ 60-100MHz  
 Cross Talk: -40dB Min @ 1-30MHz  
 -35dB Min @ 30-60MHz  
 -30dB Min @ 60-100MHz  
 Common Mode Rejection: -30dB Min @ 1-50MHz  
 -20dB Min @ 50-150MHz  
 Hipot Test: 1500Vrms Min  
 Operating Temp: 0°C to 70°C

Rev.	Description	Date	Approved	Drawing	Name	Date
				Approved	Howard	08/10/03
				Checked	Lizzy	08/10/03
				Drawn	Tina	08/10/03
				0.0 ± 0.35	0.00 ± 0.20	Angles ± 3'
						UNIT: mm

**Central Components Manufacturing**  
 440 Lincoln Blvd., Middlesex, New Jersey 08846  
 Phone 732 469-5720 888 288-5152 Fax 732 469-1919

Part No.: **CTJ-8-08-M0011-BK-PX-FS6**

Description: RJ45 Connector with 10/100 Base-T Integrated Magnetics