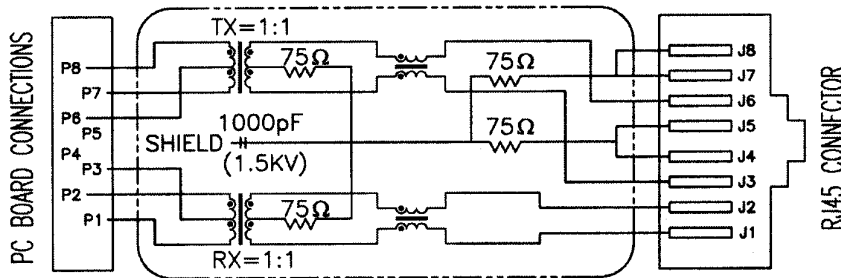
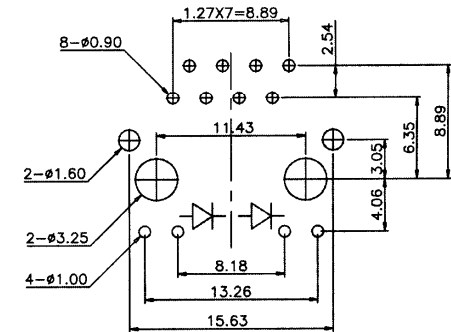
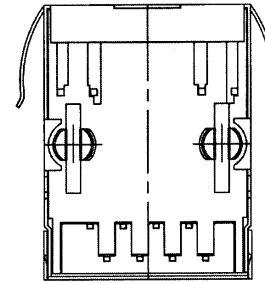
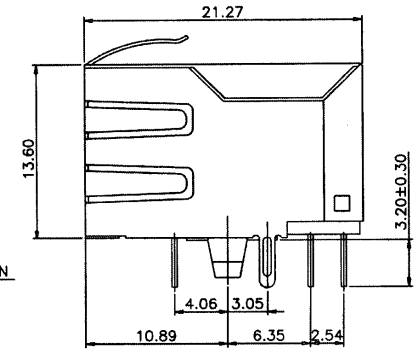
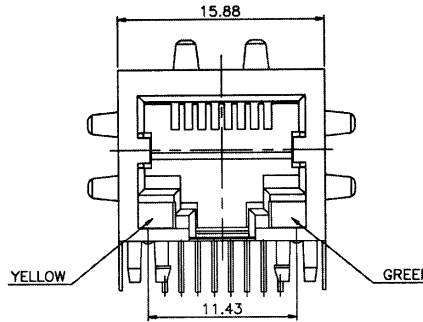


SPECIFICATIONS

Housing material: High temperature thermoplastic, UL94V-0
 Contact material: Phosphor bronze
 Contact plating: Gold over nickel in contact area
 Tin over nickel in solder area
 Shield material: Brass
 Shield plating: Nickel
 Turns ratio Tx;Rx): 1:1 ± 3%
 DC resistance: 1.2ohms max.
 Inductance: 350mH (100kHz /0.1V@8 mA)
 Leakage inductance: 0.3mH (1MHz /0.1V)
 Cw/w: 30pF max. (1MHz/0.1V)
 Insertion loss: -1.1 dB max (100kHz to 100MHz)
 Return loss: -18dB to -12dB (1MHz to 80MHz)
 Cross talk: -40dB to -30dB (30MHz to 100MHz)
 Common mode rej.: -35dB to -25dB min. (30MHz to 100MHz)
 Hi-pot: 2,250VDC/0.5mA



Series	Positions	Contacts	Style/LED Options	Color	Plating	Shield	Options
CTJ	8	08	LXX	BK	PX	FS	XX
Modular jack	8=8 positions	08=8 contacts	LED colors (left/right): [omitted]=No LED K=Blank R=Red G=Green Y=Yellow O=Orange A=Amber D=Red/green W=Yellow/green P=Orange/green	BK=Black	P1=15µ" gold P2=30µ" gold P3=50µ" gold	FS=Full shield	Custom circuits

RoHS compliant

Rev.	Description	Date	Approved	Drawing	Name	Date
				Approved	Howard	08/10/02
				Checked	Lizzy	08/10/02
				Drawn	Tina	08/10/02
				0.0 ± 0.35	0.00 ± 0.20	Angles ± 3'
				UNIT: mm		

Central Components Manufacturing
 440 Lincoln Blvd., Middlesex, New Jersey 08846
 Phone 732 469-5720 888 288-5152 Fax 732 469-1919

Part No.: **CTJ-8-08-LYG-BK-P1-FS-XX**

Description: Modular jack, RJ-45, with 10/100 base-T filter modules and optional LEDs