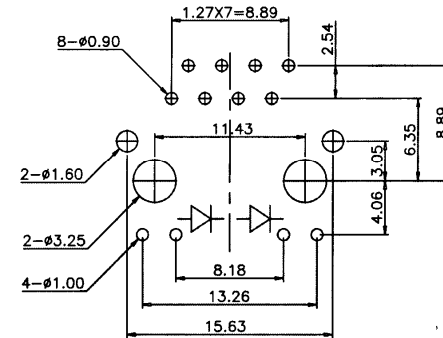
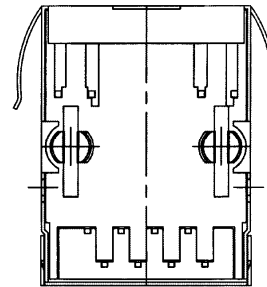
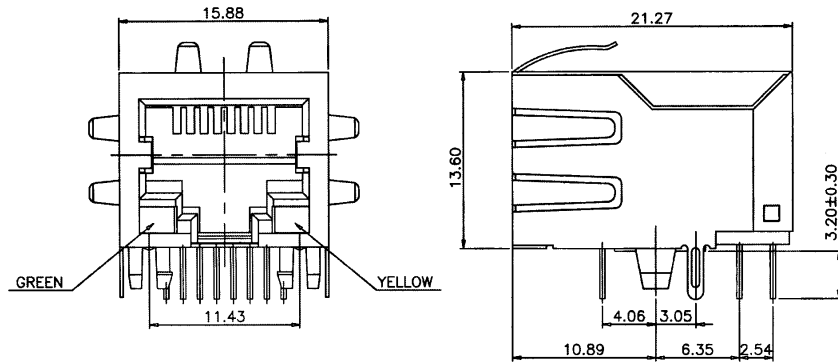


SPECIFICATIONS

Housing material: High temperature thermoplastic, UL94V-0
 Contact material: Phosphor bronze
 Contact plating: Gold over nickel in contact area
 Tin over nickel in solder area
 Shield material: Brass
 Shield plating: Nickel alloy



Series	Positions	Contacts	Style/LED Options	Color	Plating	Shield	Options
CTJ	8	08	LXX	BK	PX	FS	XX
Modular jack	8=8 positions	08=8 contacts	LED colors (left/right): O=Orange [omitted]=No LED A=Amber K=Blank D=Red/green R=Red W=Yellow/green G=Green P=Orange/green Y=Yellow	BK=Black	P1=15µ" gold P2=30µ" gold P3=50µ" gold	FS=Full shield	Custom circuits

RoHS compliant

Rev.	Description	Date	Approved	Drawing	Name	Date
				Approved	Howard	08/10/03
				Checked	Lizzy	08/10/03
				Drawn	Tina	08/10/03
				0.0 ± 0.35	0.00 ± 0.20	Angles ± 3'
				UNIT: mm		

Central Components Manufacturing
 440 Lincoln Blvd., Middlesex, New Jersey 08846
 Phone 732 469-5720 888 288-5152 Fax 732 469-1919

Part No.: **CTJ-8-08-LXX-BK-PX-FS-XX**

Description: Modular jack, fully shielded, 8P/8C, two LEDs. Various internal networks available.