

SPECIFICATIONS
 Housing: Thermoplastic UL94V-0
 Contact/Shield: Copper Alloy
 Shield Plating: Nickel
 Contact Plating: Gold 6 micro-inches min in contact
 Wave Solder Tip: 265C Max, 5 Sec Max.

SUGGESTED PCB LAYOUT (TOP VIEW)

Series	Positions	Contacts	Body Style	Color	Plating	Options
CTJ	8	08	LM19111	BK	PX	XX
Modular jack, single position	8	8	See drawing	BK=Black	P0=6μ" P1=15μ" P2=30μ" P3=50μ"	Blank=None FS=Full shield SM=Surface mount

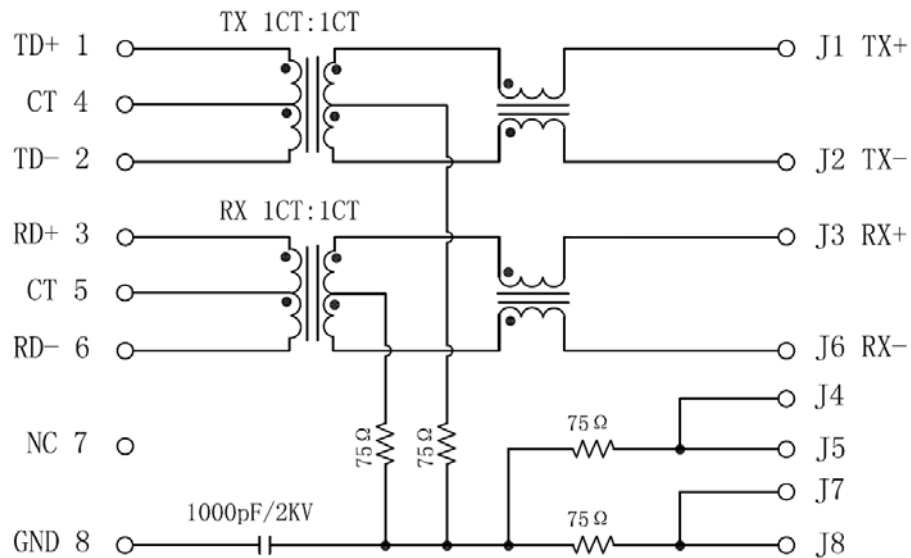
RoHS compliant

Rev.	Description	Date	Approved	Drawing	Name	Date
				Approved	Howard	07/02/10
				Checked	Lizzy	07/02/10
				Drawn	Tina	07/02/10
				0.0 ± 0.35	0.00 ± 0.20	Angles ± 3'
				UNIT: mm		

Central Components Manufacturing
 440 Lincoln Blvd., Middlesex, New Jersey 08846
 Phone 732 469-5720 888 288-5152 Fax 732 469-1919

Part No.: **CTJ-8-08-LM19111-BK-PX-FS-SM**

Description: Surface Mount 1X1 Tab-Town Jack with 10/100 Magnetic SMT



ELECTRICAL SPECIFICATIONS

Turns Ratio ($\pm 2\%$):

TX=1CT:1CT RX=1CT:1CT

OCL: 350uH Min

@100KHz, 100mV, 8mADC

Insertion Loss:

1-65MHz: -1.0dB Max

Return Loss (dB Min):

1-10MHz: -18 30MHz: -14

60-100MHz: -10

Crosstalk (dB Min):

1-60MHz: -35 60-100MHz: -30

Common Mode Rejection:

1-130MHz: -20dB Min

Isolation Voltage: 1500Vrms

Operating Temp: 0C ~ 70C

Rev.	Description	Date	Approved	Drawing	Name	Date
				Approved	Howard	07/02/10
				Checked	Lizzy	07/02/10
				Drawn	Tina	07/02/10
				0.0 ± 0.35	0.00 ± 0.20	Angles ± 3'
					UNIT: mm	

Central Components Manufacturing
 440 Lincoln Blvd., Middlesex, New Jersey 08846
 Phone 732 469-5720 888 288-5152 Fax 732 469-1919

Part No.: **CTJ-8-08-LM19111-BK-PX-FS-SM**

Description: Surface Mount 1X1 Tab-Town Jack with 10/100 Mag-netic SMT