

**SPECIFICATIONS**

Housing: Thermoplastic UL94V-0  
 Contact/Shield: Copper Alloy  
 Shield Plating: Nickel  
 Contact Plating: Gold 15u" min. in contact

LED Color Codes	
Code	LED
R	Red
G	Green
Y	Yellow
O	Orange
A	Amber
D	Red/Green
E	Red/Yellow
W	Yellow/Green
P	Orange/Green
K	Blank

Panel Grounds (X)	
Blank	None
1,2	Top
4	Sides
6	Both

Series	Positions	Contacts	Body Style	LED	Color	Plating	Options
CTJ	8	08	LM11	LXX	BK	PX	XX
Modular jack, single position	8	8	See drawing	L=LEDs XX=Left/Right (see chart)	BK=Black GY=Gray	P0=6µ" P1=15µ" P2=30µ" P3=50µ"	Blank=None FSX=Full shield (see chart)

**RoHS compliant**

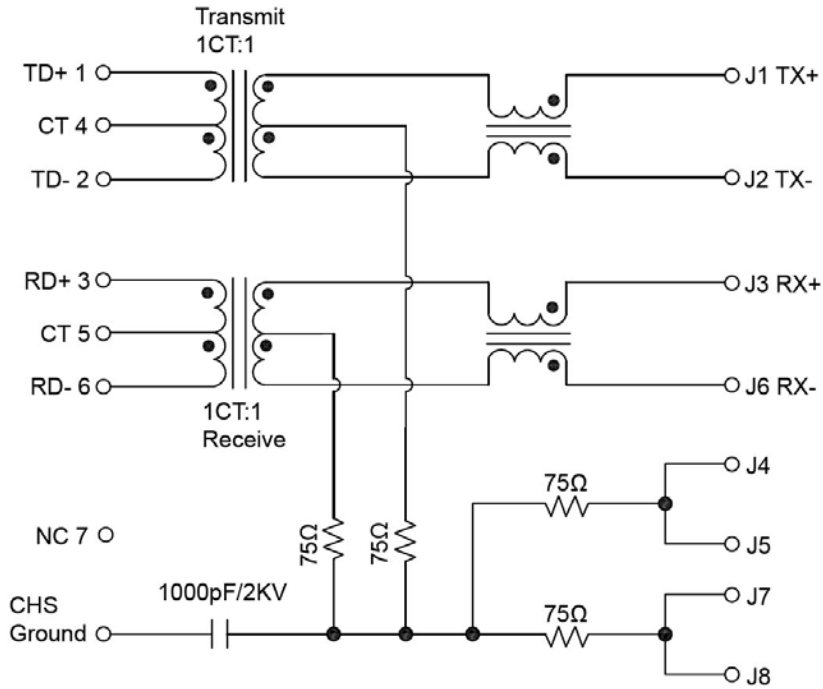
Rev.	Description	Date	Approved	Drawing	Name	Date
				Approved	Howard	08/30/10
				Checked	Lizzy	08/30/10
				Drawn	Tina	08/30/10
				0.0 ± 0.35	0.00 ± 0.20	Angles ± 3'
				UNIT: mm		

**Central Components Manufacturing**  
 440 Lincoln Blvd., Middlesex, New Jersey 08846  
 Phone 732 469-5720 888 288-5152 Fax 732 469-1919

Part No.: **CTJ-8-08-LM11LGY-PX-FSX**

Description: RJ45 modular jack with LEDs and 10/100 Base-T magnetics

PC Board Connections



**ELECTRICAL SPECIFICATIONS**

**Turn Ratio ( $\pm 2\%$ ):**

TX=1CT:1      RX=1CT:1

**Inductance OCL:**

350uH Min @ 100KHz 0.1V 8mA DC Bias

**Insertion Loss:**

-1.0dB Max @ 1.0-100MHz

**Return Loss:**

-18dB Min @ 1-30MHz

-15dB Min @ 30-60MHz

-12dB Min @ 60-80MHz

-10dB Min @ 80-100MHz

**Cross Talk:**

-40dB Min @ 30MHz

-35dB Min @ 60MHz

-30dB Min @ 100MHz

**Common Mode Rejection:**

-40dB Min @ 30MHz

-35dB Min @ 60MHz

-30dB Min @ 100MHz

**Hipot:**

1500Vrms

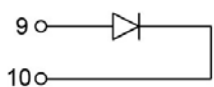
**LED Lamp:**

Wave Length:      Green/Yellow: 570nm/590nm

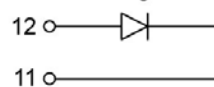
Forward Voltage (Vf): 1.8V-2.4V (test condition: 20mA)

Operating Temp:      0°C to 70°C

Green/Left LED



Yellow/Right LED



Rev.	Description	Date	Approved	Drawing	Name	Date
				Approved	Howard	08/30/10
				Checked	Lizzy	08/30/10
				Drawn	Tina	08/30/10
				0.0 ± 0.35	0.00 ± 0.20	Angles ± 3'
					UNIT: mm	

**Central Components Manufacturing**  
 440 Lincoln Blvd., Middlesex, New Jersey 08846  
 Phone 732 469-5720 888 288-5152 Fax 732 469-1919

Part No.: **CTJ-8-08-LM11LGY-PX-FSX**

Description: RJ45 modular jack with LEDs and 10/100 Base-T magnetics