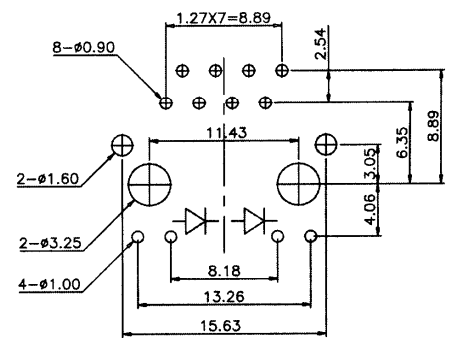
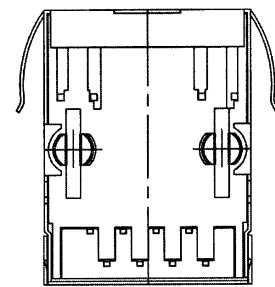
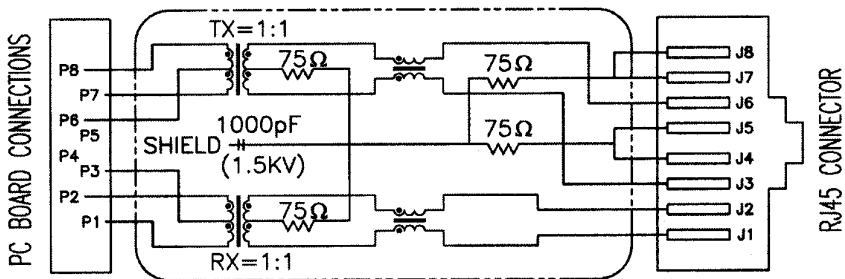
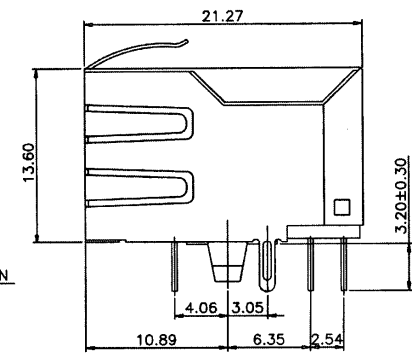
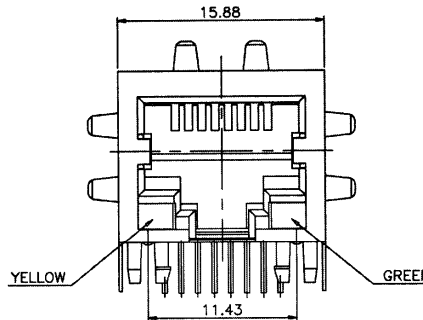


**SPECIFICATIONS**

Housing material: High temperature thermoplastic, UL94V-0  
 Contact material: Phosphor bronze  
 Contact plating: Gold over nickel on contact area  
 Tin over nickel on solder area

Shield material: Brass  
 Shield plating: Nickel  
 Turns ratio Tx;Rx): 1:1 ± 3%  
 DC resistance: 1.2 ohms max.  
 Inductance: 350mH (100kHz /0.1V@8 milliamps)  
 Leakage inductance: 0.3mH (1MHz /0.1V)  
 Cw/w: 30pF max. (1MHz/0.1V)  
 Insertion loss: -1.1 dB max (100kHz to 100MHz)  
 Return loss: -18dB to -12dB (1MHz to 80MHz)  
 Cross talk: -40dB to -30dB (30MHz to 100MHz)  
 Common mode rej.: -35dB to -25dB min. (30MHz to 100MHz)  
 Hi-pot: 2,250VDC/0.5 milliamps



RoHS compliant

Rev.	Description	Date	Approved	Drawing	Name	Date
				Approved	Howard	08/10/02
				Checked	Lizzy	08/10/02
				Drawn	Tina	08/10/02
				0.0 ± 0.35	0.00 ± 0.20	Angles ± 3'
					UNIT: mm	

**Central Components Manufacturing**  
 440 Lincoln Blvd., Middlesex, New Jersey 08846  
 Phone 732 469-5720 888 288-5152 Fax 732 469-1919

Part No.: **CTJ-8-08-LKK-BK-PX-FS-XX**

Description: Modular jack, RJ-45 with 10/100 base-T filter modules, no LED option