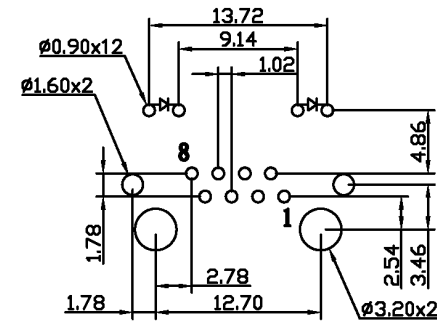
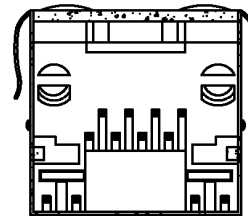
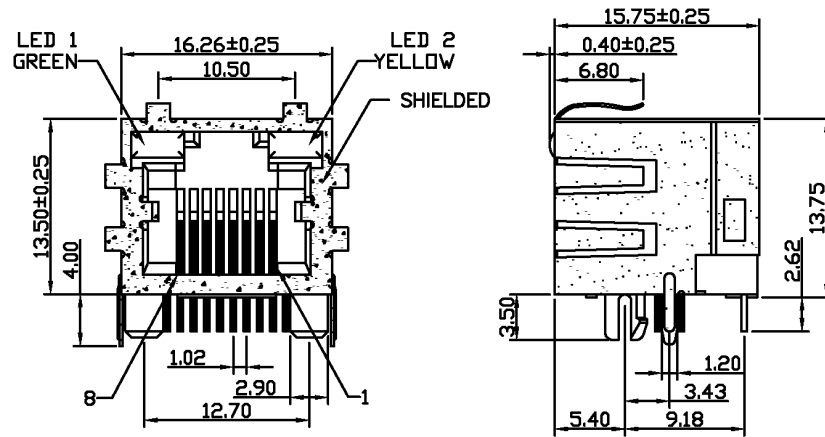


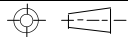
**SPECIFICATIONS**

Current rating: 1.5 amps  
 Voltage rating: 150VAC  
 Contact material: Phosphor bronze  
 Contact plating: 15µ" gold on contact area  
 Tin on tails  
 Contact resistance: 20 milliohms max.  
 Housing material: Nylon 46, UL94V-0, black  
 Insulation resistance: 500 megohms min.  
 LED forward DC: 20 milliamps  
 LED forward voltage: 1.8 V typical  
 LED reverse voltage: 5 V min.  
 LED power dissipation: Green 24 millivolts  
 Yellow 36 millivolts



PC Board Layout (Top View)

RoHS compliant

Rev.	Description	Date	Approved	Drawing	Name	Date
				Approved	Howard	08/10/02
				Checked	Lizzy	08/10/02
				Drawn	Tina	08/10/02
				0.0 ± 0.35	0.00 ± 0.20	Angles ± 3'
				 UNIT: mm		


**Central Components Manufacturing**  
 440 Lincoln Blvd., Middlesex, New Jersey 08846  
 Phone 732 469-5720 888 288-5152 Fax 732 469-1919  
 Part No.: **CTJ-8-08-L2XX-BK-PX-FS**

Description: Modular jack, LEDs, 8P/8C, latch up, full shield