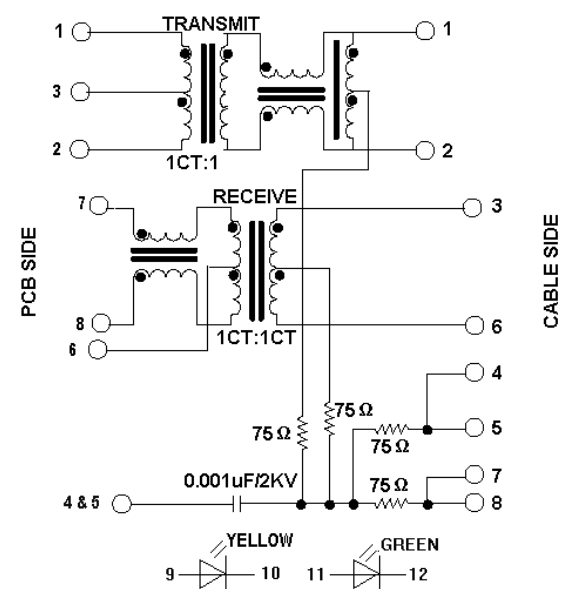
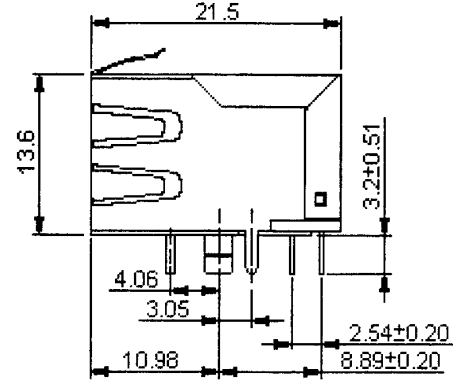
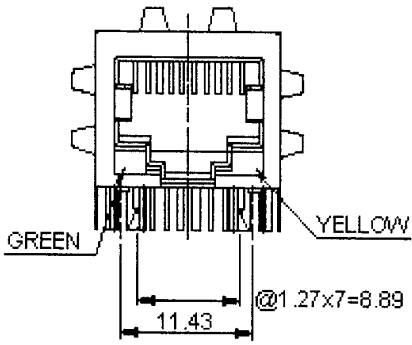


PC Board Layout
Component Side Shown



SPECIFICATIONS
 Insertion loss: -1.0 dB 1-100MHz typical
 Return loss: -16dB 30MHz, -14dB 60MHz, -12dB 80MHz
 Crosstalk: -35dB 1-100MHz,
 Com. mode reject.: -35dB 1-100MHz
 HIPOT test: 1,500 VRMS/0.5mA 1 minute
 OCL: 350µH min. @ 100KHz/0.1v, 8mA DC
 Operating temp.: 0°C to +70°C

Series	Positions	Contacts	Body Style	Color	Plating	Options	Panel Grounds
CTJ	8	08	F1362ALXX	BK	PX	XX	PGX
Modular Jack	8 Positions	8 Contacts	F1362AL Style (XX=LED Colors) Y=Yellow G=Green	BK=Black	P1=15u" gold P2=30u" gold P3=50u" gold	[blank]=None FS=Full Shield	Black=None 2=Top 4=Sides 6=Top & Sides

RoHS compliant

Rev.	Description	Date	Approved	Drawing	Name	Date
				Approved	Howard	08/10/03
				Checked	Lizzy	08/10/03
				Drawn	Tina	08/10/03
				0.0 ± 0.35	0.00 ± 0.20	Angles ± 3°
				UNIT: mm		

Central Components Manufacturing
 440 Lincoln Blvd., Middlesex, New Jersey 08846
 Phone 732 469-5720 888 288-5152 Fax 732 469-1919

Part No.: **CTJ-8-08-F1362ALGY-BK-P1-FS-PG6**

Description: Modular jack, RJ45 10/100 base with magnetics