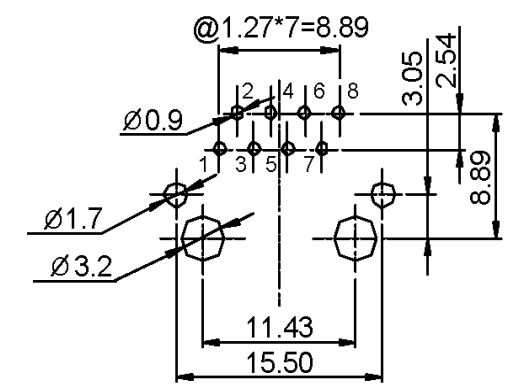
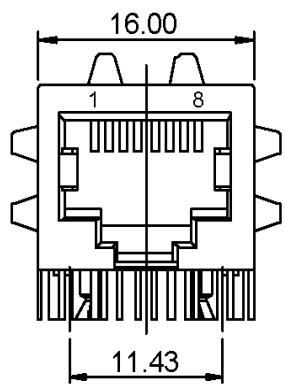


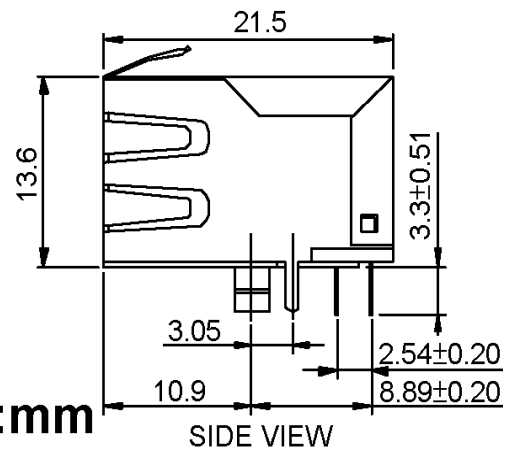
TOP VIEW



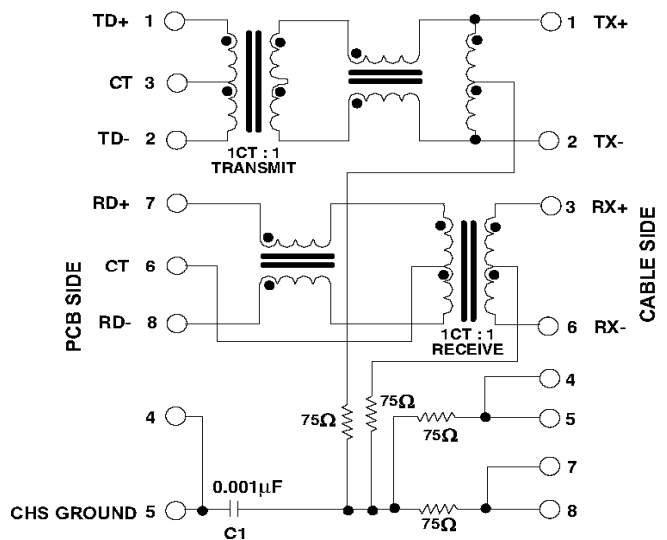
PC Board Layout Component Side Shown



FRONT VIEW UNIT:mm



SIDE VIEW



NOTE: Connect CHS GND to PCB ground.

SPECIFICATIONS

- Insertion loss: -1.0 dB 1-65MHz typical
- Return loss: -20dB 1-10MHz, -16dB 10-30MHz, -12dB 30-60MHz, -10dB 60-80MHz
- Crosstalk: -40dB 1-30MHz, -35dB 30-60MHz, -30dB 60-100MHz
- Com. mode reject.: -30dB 1-50MHz, -20dB 50-150MHz
- HIPOT test: 1,500 VRMS/0.5mA 1 minute
- OCL: 350µH min. @ 100KHz/0.1v, 8mA DC
- Operating temp.: 0°C to +70°C

Series	Positions	Contacts	Body Style	Color	Plating	Options	Panel Grounds
CTJ	8	08	F1364G	BK	PX	XX	PGX
Modular Jack	8 Positions	8 Contacts	F1364G Style	BK=Black	P1=15u" gold P2=30u" gold P3=50u" gold	[blank]=None FS=Full Shield	2=Top 4=Sides 6=Top & Sides

RoHS compliant

Rev.	Description	Date	Approved	Drawing	Name	Date
A	PNT	9/15/08	Greg	Approved	Howard	08/10/03
				Checked	Lizzy	08/10/03
				Drawn	Tina	08/10/03
				0.0 ± 0.35	0.00 ± 0.20	Angles ± 3°
				UNIT: mm		

Central Components Manufacturing
 440 Lincoln Blvd., Middlesex, New Jersey 08846
 Phone 732 469-5720 888 288-5152 Fax 732 469-1919

Part No.: **CTJ-8-08-F1362A-BK-P1-FS-PG6**

Description: Modular jack, RJ45 10/100 base with magnetics