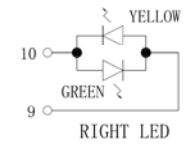
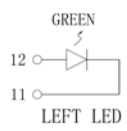
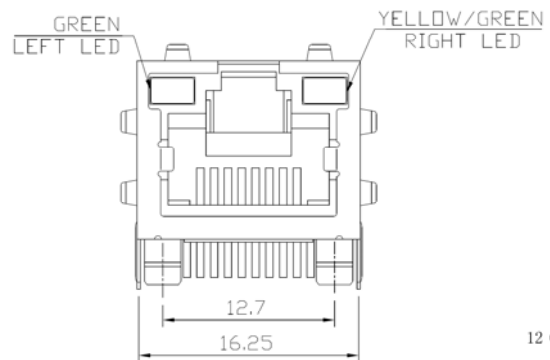
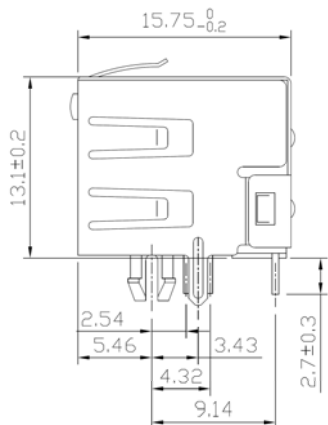


**SPECIFICATIONS**  
 Insulation Resistance: 500MΩ Min @ 500 VDC  
 Withstanding Voltage: AC1000V 50Hz or 60Hz 1min  
 Durability: 600 Mating Cycles Min  
 Gold Plating: See Table  
 Storage Temp: -40C to +85C  
 Operation Temp: -40C to +85C  
 Wave Soldering Temp: 255C ~ 265C



Panel Grounds (X)	
Blank	None
1,2	Top
4	Sides
6	Both

LED Color Codes	
Code	LED
R	Red
G	Green
Y	Yellow
O	Orange
A	Amber
D	Red/Green
E	Red/Yellow
W	Yellow/Green
P	Orange/Green
K	Blank

Series	Positions	Contacts	Body Style	LED	Color	Plating	Options
CTJ	X	XX	XX	LXX	BK	PX	XX
Modular jack, single position	4-10	2-10	Type E101	L=LEDs XX=Left/Right (see chart)	BK=Black	P0=6μ" P1=15μ" P2=30μ" P3=50μ"	Blank=None FSX=Full shield (see chart)

RoHS compliant

Rev.	Description	Date	Approved	Drawing	Name	Date
				Approved	Howard	08/30/10
				Checked	Lizzy	08/30/10
				Drawn	Tina	08/30/10
				0.0 ± 0.35	0.00 ± 0.20	Angles ± 3'
				UNIT: mm		

**Central Components Manufacturing**  
 440 Lincoln Blvd., Middlesex, New Jersey 08846  
 Phone 732 469-5720 888 288-5152 Fax 732 469-1919

Part No.: **CTJ-8-08-E101LGW-PX-BK-FS6**

Description: single port modular phone jack with LEDs

