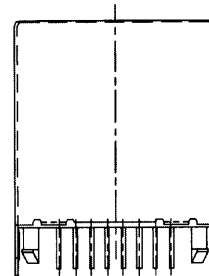
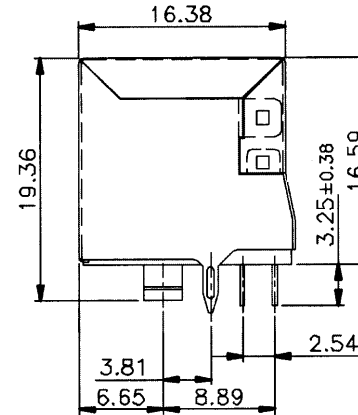
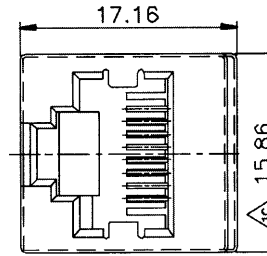
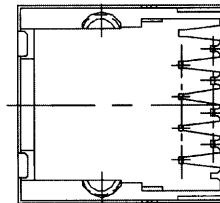
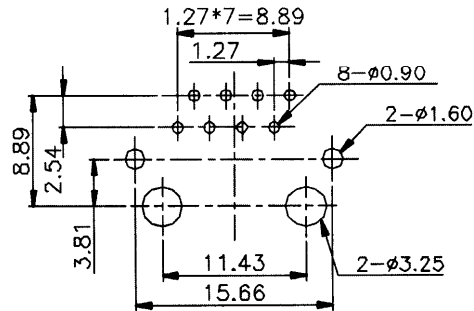


SPECIFICATIONS

Housing material: Glass filled polyester, UL94V-0
 Contact material: Phosphor bronze 0.35mm
 Contact plating: Gold over nickel on contacts
 Tin over nickel on tail
 Shield material: Brass 0.20mm
 Shield plating: Nickel




PCB LAYOUT/TOP VIEW



RoHS compliant

Rev.	Description	Date	Approved	Drawing	Name	Date
				Approved	Howard	08/10/99
				Checked	Lizzy	08/10/99
				Drawn	Tina	08/10/99
				0.0 ± 0.35	0.00 ± 0.20	Angles ± 3'
				UNIT: mm		



Central Components Manufacturing
 440 Lincoln Blvd., Middlesex, New Jersey 08846
 Phone 732 469-5720 888 288-5152 Fax 732 469-1919

Part No.: **CTJ-8-08-D3HP-BK-P1-FS**

Description: Modular jack, top entry PCB mount, 8P8C, shielded

