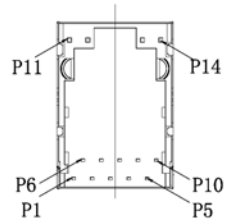
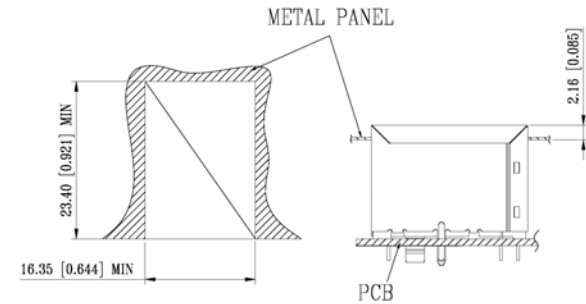
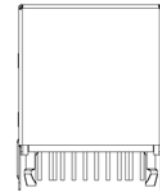


5-2. Suggested Panel Opening:

Plug In Side



- A = 16.10 / 0.634
- B = 16.87 / 0.664
- C = 23.15 / 0.912
- D = 2.80 / 0.110

SPECIFICATIONS

- Housing: PBT
- Shield: SUS304
- Contact: Phosphor Bronze
- Contact Plating: Selective Gold, 6u" in contact area
- Wave Soldering Temp: 260°C Max @ 10 Seconds Max.
- Operating Temp: 0°C to +70°C
- Storage Temp: 40°C to +85°C
- Pin not electrically connected, may be omitted, see electrical drawing for omitted pins
- RJ45 cavities conform to FCC rules and regulation par 68

LED SPECIFICATION				
STANDARDLED	WAVELENGTH	Forward Current	Forward V(max)	TYP
GREEN	565nm	20 mA	2.4V	2.2V
YELLOW	590nm	20 mA	2.5V	2.1V

Series	Positions	Contacts	Type	Color	Plating	Options	Panel Grounds
CTJ	8	08	D0834LYG	BK	PX	XX	PGX
Modular Jack	8=8 Positions	08=8 Contacts	Omit LXX=no LED; Left then right LED: Y=Yellow, G=Green	BK=Black	P0=6u" Gold P1=15u" Gold P2=30u" Gold P3=50u" Gold	Blank=None FS=Full Shield	[blank]=None 2=Top 4=Side 6=Top and sides

RoHS compliant

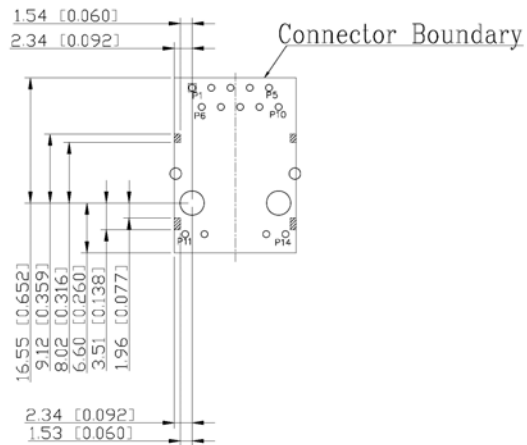
Rev.	Description	Date	Approved	Drawing	Name	Date
				Approved	Howard	11/05/09
				Checked	Lizzy	11/05/09
				Drawn	Tina	11/05/09
				0.0 ± 0.35 0.00 ± 0.20 Angles ± 3°		
				UNIT: mm		

Central Components Manufacturing
 440 Lincoln Blvd., Middlesex, New Jersey 08846
 Phone 732 469-5720 888 288-5152 Fax 732 469-1919

Part No.: **CTJ-8-08-D0834LYG-BK-P0-FS**

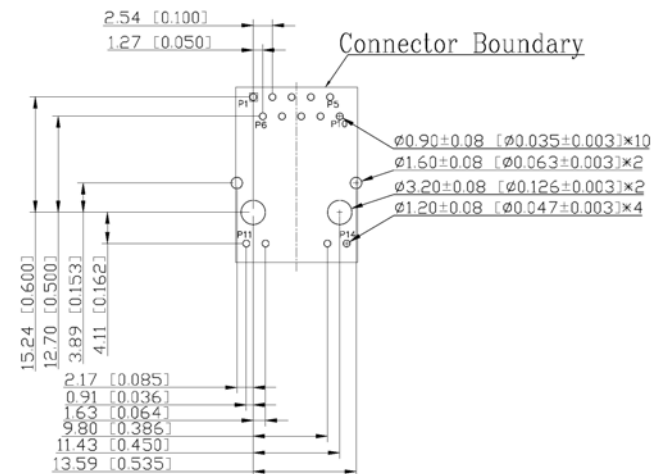
Description: Vertical RJ45 Connector With 1000 Magnetics

5-3. Keep-Out Area (Component Side View):



Plug In Side

5-4. Recommended PWB Layout (Component Side View):



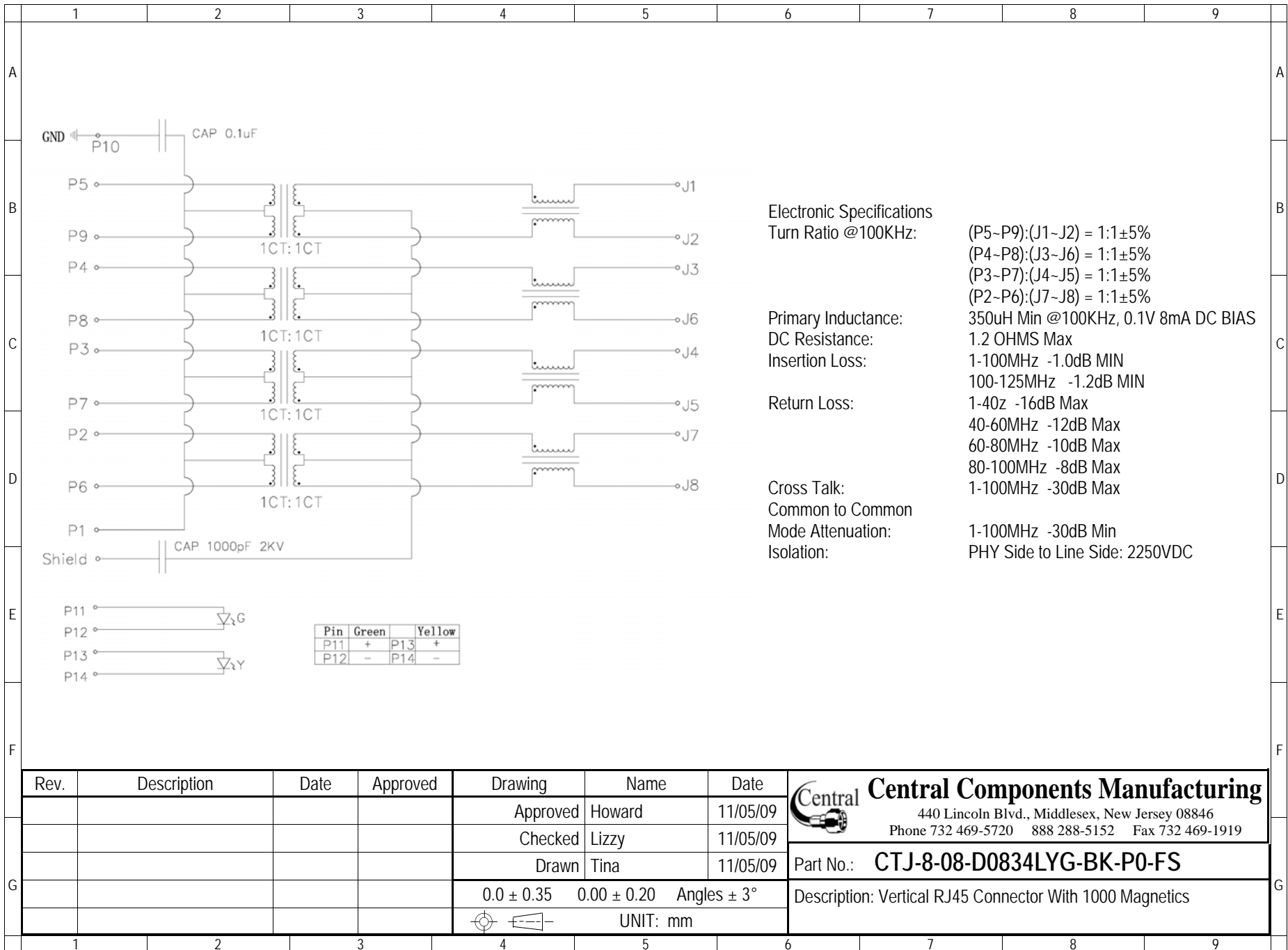
Plug In Side

Rev.	Description	Date	Approved	Drawing	Name	Date
				Approved	Howard	11/05/09
				Checked	Lizzy	11/05/09
				Drawn	Tina	11/05/09
				0.0 ± 0.35	0.00 ± 0.20	Angles ± 3°
						UNIT: mm

Central Components Manufacturing
440 Lincoln Blvd., Middlesex, New Jersey 08846
Phone 732 469-5720 888 288-5152 Fax 732 469-1919

Part No.: **CTJ-8-08-D0834LYG-BK-P0-FS**

Description: Vertical RJ45 Connector With 1000 Magnetics



Rev.	Description	Date	Approved	Drawing	Name	Date
				Approved	Howard	11/05/09
				Checked	Lizzy	11/05/09
				Drawn	Tina	11/05/09
				0.0 ± 0.35	0.00 ± 0.20	Angles ± 3°
				UNIT: mm		

Central Components Manufacturing
 440 Lincoln Blvd., Middlesex, New Jersey 08846
 Phone 732 469-5720 888 288-5152 Fax 732 469-1919

Part No.: **CTJ-8-08-D0834LYG-BK-P0-FS**

Description: Vertical RJ45 Connector With 1000 Magnetics