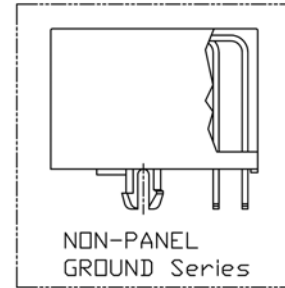
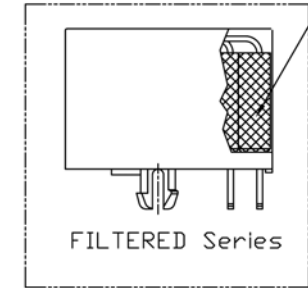


(OPTIONAL)



NON-PANEL
GROUND Series

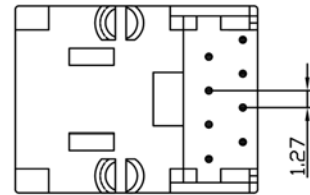
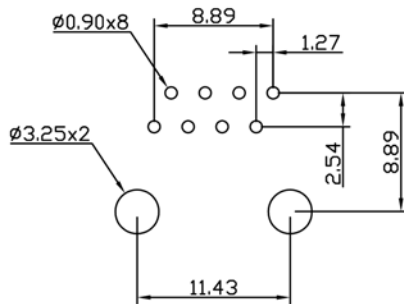
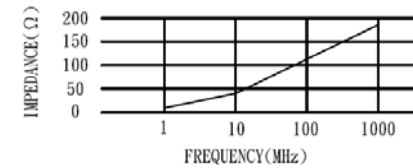


FILTERED Series

FILTERED

SPECIFICATIONS

Contact material: Phosphor bronze 0.35mm
 Contact plating: Gold in contact area
 Gold Flash on Solder Area
 Housing material: PBT glass filled, UL94V-0, Black
 Filter material: High-impedance, high-resistivity ferrite block



PC Board Layout

Cavity conforms to FCC rules and regulations Part 68, Subpart F

Series	Positions	Contacts	Body Style	Color	Plating	Options
CTJ	8	08	A4	BK	XX	XX
Modular jack, single position	8=8 positions	08=8 contacts	A4 style	BK=Black	P1=15μ" gold P2=30μ" gold P3=50μ" gold	[blank]=None SM=Surface mount MS=Shielded face FF=Ferrite filter FS=Full shield

RoHS compliant

Rev.	Description	Date	Approved	Drawing	Name	Date
				Approved	Howard	06/27/03
				Checked	Lizzy	06/27/03
				Drawn	Tina	06/27/03
				0.0 ± 0.35	0.00 ± 0.20	Angles ± 3'
				UNIT: mm		

Central Components Manufacturing
 440 Lincoln Blvd., Middlesex, New Jersey 08846
 Phone 732 469-5720 888 288-5152 Fax 732 469-1919

Part No.: **CTJ-8-08-A4-BK-XX-XX-FF**

Description: Modular jack, PCB thru-hole mount, 8P8C, side entry, filtered, shielded