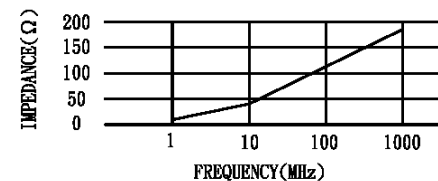
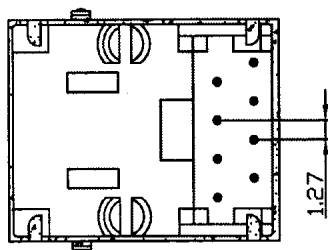
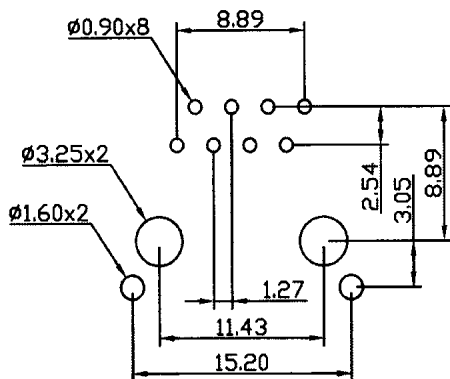


**SPECIFICATIONS**

Contact material: Phosphor bronze 0.35mm  
 Contact plating: Gold in contact area  
 Tin on solder tails  
 Housing material: PBT glass filled, UL94V-0  
 Shield material: Copper alloy 0.25mm  
 Shield plating: Nickel or tin  
 Filter material: High-impedance, high-resistivity ferrite block



Cavity conforms to FCC rules and regulations Part 68, Subpart F



Series	Positions	Contacts	Body Style	Color	Plating	Options
CTJ	8	08	A4	BK	XX	XX
Modular jack, single position	8=8 positions	08=8 contacts	A4 style	BK=Black	P1=15µ" gold P2=30µ" gold P3=50µ" gold	[blank]=None SM=Surface mount MS=Shielded face FF=Ferrite filter FS=Full shield

RoHS compliant

Rev.	Description	Date	Approved	Drawing	Name	Date
A	RoHS	10/4/05	Tom	Approved	Howard	08/10/99
				Checked	Lizzy	08/10/99
				Drawn	Tina	08/10/99
				0.0 ± 0.35	0.00 ± 0.20	Angles ± 3'
				UNIT: mm		

**Central Components Manufacturing**  
 440 Lincoln Blvd., Middlesex, New Jersey 08846  
 Phone 732 469-5720 888 288-5152 Fax 732 469-1919

Part No.: **CTJ-8-08-A4-BK-XX-FS-FF**

Description: Modular jack, PCB thru-hole mount, 8P8C, side entry, filtered, shielded