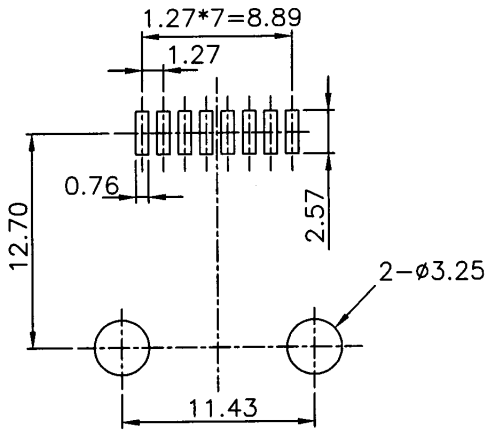


SPECIFICATIONS

- Contact material: Phosphor bronze
- Contact plating: Gold over nickel in contact area
Tin over nickel in solder area
- Housing material: High temperature thermoplastic, UL94V-0

PC Board Layout (Top View)



| Series | Positions | Contacts | Style | Color | Plating | Options |
|--------------------|-------------|-----------------|-----------|----------|--|--|
| CTJ | X | XX | A | BK | PX | SM |
| Modular phone jack | 4, 6, 8, 10 | 02,04,06,08, 10 | A=Style A | BK=Black | P1=15µ" gold P2=30µ" gold P3=50µ" gold | MS=Metal shielded face SM=Surface mount WF=No Flange KY=Keyed |

RoHS compliant

| Rev. | Description | Date | Approved | Drawing | Name | Date |
|------|-------------|----------|----------|------------|-------------|-------------|
| A | PNT, PN | 06/30/09 | Greg | Approved | Howard | 08/10/99 |
| | | | | Checked | Lizzy | 08/10/99 |
| | | | | Drawn | Tina | 08/10/99 |
| | | | | 0.0 ± 0.35 | 0.00 ± 0.20 | Angles ± 3' |
| | | | | UNIT: mm | | |

Central Components Manufacturing
 440 Lincoln Blvd., Middlesex, New Jersey 08846
 Phone 732 469-5720 888 288-5152 Fax 732 469-1919

Part No.: **CTJ-8-08-A-BK-PX-SM-WF**

Description: Side entry PCB jack

