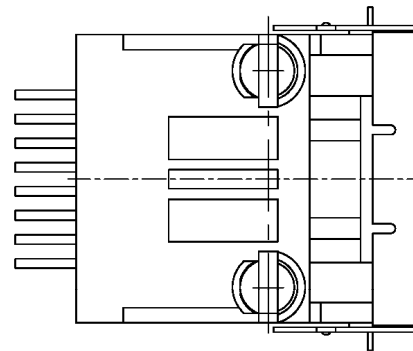


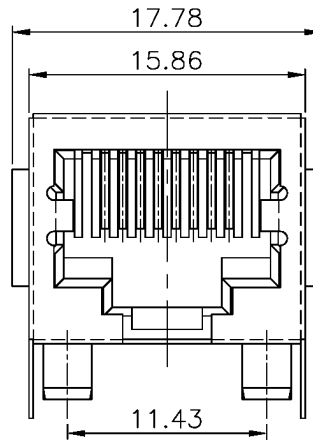
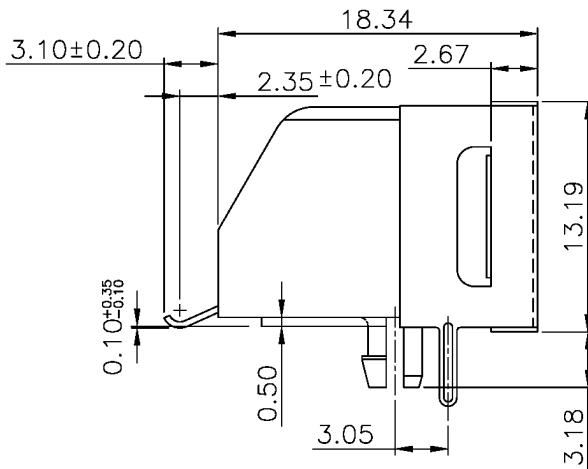
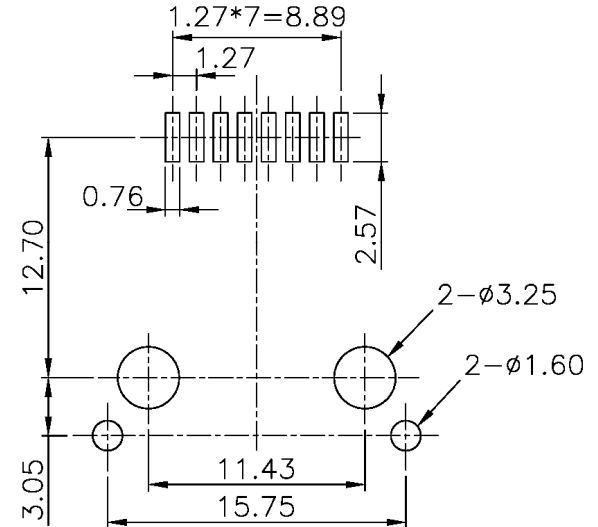
SPECIFICATIONS

Housing material: High temperature thermoplastic, UL94V-0
 Contact material: Phosphor bronze, 0.35mm
 Contact plating: Gold over nickel in contact area
 Tin over nickel in solder area
 Shield material: Brass
 Shield plating: Nickel

Note: Conforms to FCC rules and regulations, Part 68, subpart F



PC Board Layout (Top View)



Series	Mold Size	No. of Contacts	Mold Style	Mold Color	Plating	Options
CTJ	X	XX	A	BK	PX	XX
Modular phone jack	6=Size 6 8=Size 8 10=Size 10	08=8 contacts 10=10 contacts (2, 4, 6 also available, in size 6 only)	A=A style	BK=Black	P1=15μ" gold P2=30μ" gold P3=50μ" gold	[blank]=None MS=Metal face shield WF=Without flange KY=Keyed SM=Surface mount

RoHS compliant

Rev.	Description	Date	Approved	Drawing	Name	Date
				Approved	Howard	08/10/99
				Checked	Lizzy	08/10/99
				Drawn	Tina	08/10/99
				0.0 ± 0.35	0.00 ± 0.20	Angles ± 3°
				UNIT: mm		

Central Components Manufacturing
 440 Lincoln Blvd., Middlesex, New Jersey 08846
 Phone 732 469-5720 888 288-5152 Fax 732 469-1919

Part No.: **CTJ-8-08-A-BK-PX-MS-SM**

Description: PCB jack, side entry, low profile, SMT type, shielded, 8P8C