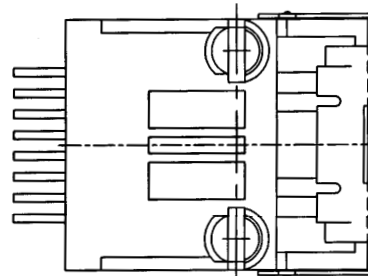
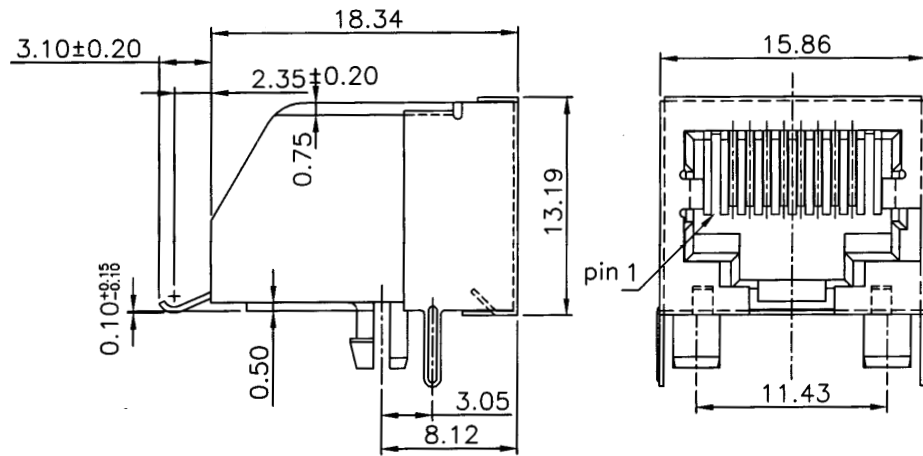


PCB Layout (Top View)



SPECIFICATIONS

Housing material: High temperature thermoplastic, UL94V-0
 Contact material: Phosphor bronze
 Contact plating: Gold over nickel
 Tail plating: Tin over nickel
 Shield material: Brass
 Shield plating: Nickel

Series	Positions	Contacts	Style	Color	Plating	Options
CTJ	X	XX	A	BK	PX	XX
Modular jack, single position	8=8 positions 10=10 positions	06=6 contacts 08=8 contacts 10=10 contacts	A=Style A	BK=Black	P1=15µ" gold P2=30µ" gold P3=50µ" gold	[blank]=None MS=Shielded face WF=Without flange SM=Surface mount

RoHS compliant

Rev.	Description	Date	Approved	Drawing	Name	Date
				Approved	Howard	08/10/99
				Checked	Lizzy	08/10/99
				Drawn	Tina	08/10/99
				0.0 ± 0.35	0.00 ± 0.20	Angles ± 3'
				UNIT: mm		

Central Components Manufacturing
 440 Lincoln Blvd., Middlesex, New Jersey 08846
 Phone 732 469-5720 888 288-5152 Fax 732 469-1919

Part No.: **CTJ-8-08-A-BK-P1-MS-WF-SM**

Description: Modular jack, side entry, PCB mount

