

SPECIFICATIONS

- Designed to support applications such as SOHO (ADSL modems), LAN-on-Motherboard (LOM), hub and Switches
- Meets IEEE 802.3 specification
- Connector Materials:
 - Housing: Thermoplastic UL94V-0
 - Contact/Shield: Copper Alloy
 - Shield Plating: Nickel
 - Contact Plating: Gold 30 micro-inches min. in contact area
 - Processing Temp: 265C Max for 5 Sec max

RoHS compliant

| Rev. | Description | Date | Approved | Drawing | Name | Date |
|------|-------------|------|----------|------------|-------------|-------------|
| | | | | Approved | Howard | 10/14/08 |
| | | | | Checked | Lizzy | 10/14/08 |
| | | | | Drawn | Tina | 10/14/08 |
| | | | | 0.0 ± 0.35 | 0.00 ± 0.20 | Angles ± 3' |
| | | | | | UNIT: mm | |

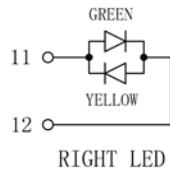
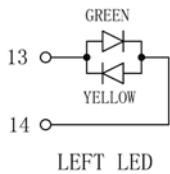
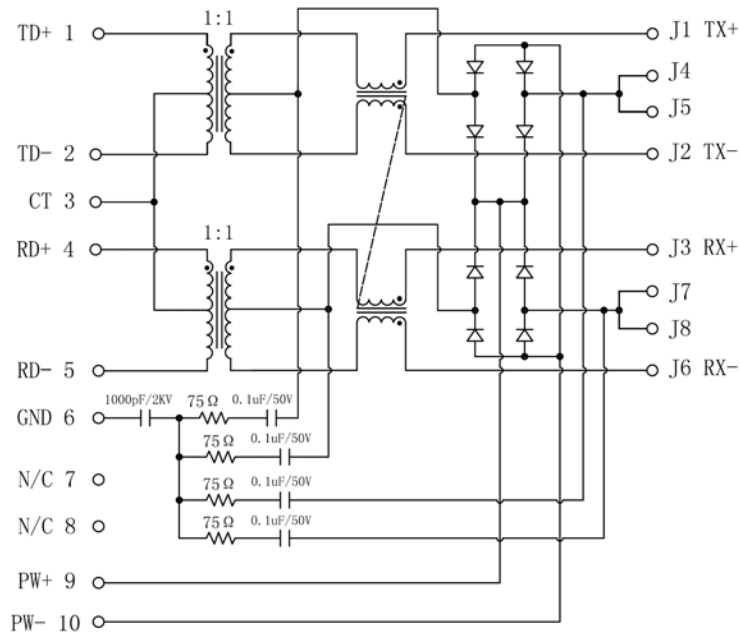
Central Components Manufacturing
 440 Lincoln Blvd., Middlesex, New Jersey 08846
 Phone 732 469-5720 888 288-5152 Fax 732 469-1919

Part No.: **CTJ-8-08-8163A4LWW-BK-P2-FS-PG6**

Description: RJ45 Connector with 10/100 Base TX Integrated Magnetics

PCB SIDE

CABLE SIDE



SPECIFICATIONS

1. Turn Ration (100KHz, 0.1V):
 Pins:(1-2): (J1-J2)=1:1 ±3%
 Pins: (4-5): (J3-J6)=1:1 ±3%
2. OCL (100KHz, 100mV, 8mA DC Bias):
 Pins:
 (1-2), (4-5)=350uH Min
3. Insertion Loss:
 -1.1dB Max @ 0.1-100MHz
4. Return Loss:
 -18dB Min @ 0.5-30MHz
 -15.5dB Min @ 40MHz
 -13.6dB Min @ 50MHz
 -12dB Min @ 60-80MHz
5. Cross Talk:
 -38dB TYP @ 0.1-100MHz
6. Common Mode Rejection:
 -50dB TYP @ 0.1-30MHz
 -40dB TYP @ 30-60MHz
 -30dB TYP @ 60-100MHz
7. Hipot Test:
 1500Vrms
8. Operating Temp:
 -40°C to +85°C

| Rev. | Description | Date | Approved | Drawing | Name | Date |
|------|-------------|------|----------|------------|-------------|-------------|
| | | | | Approved | Howard | 10/14/08 |
| | | | | Checked | Lizzy | 10/14/08 |
| | | | | Drawn | Tina | 10/14/08 |
| | | | | 0.0 ± 0.35 | 0.00 ± 0.20 | Angles ± 3' |
| | | | | | UNIT: mm | |

Central Components Manufacturing
 440 Lincoln Blvd., Middlesex, New Jersey 08846
 Phone 732 469-5720 888 288-5152 Fax 732 469-1919

Part No.: **CTJ-8-08-8163A4LWW-BK-P2-FS-PG6**

Description: RJ45 Connector with 10/100 Base TX Integrated Magnetics