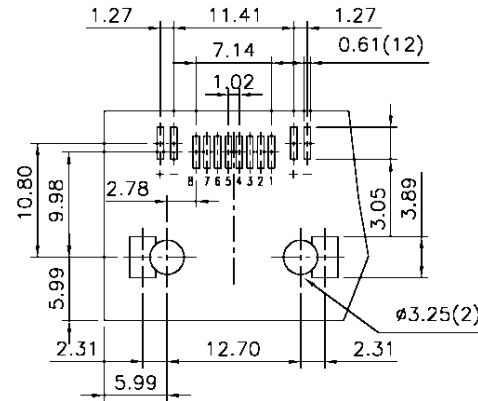
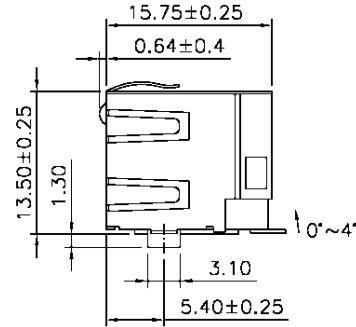
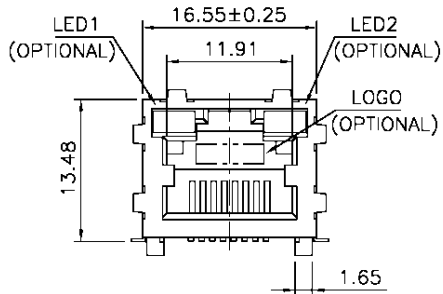


SPECIFICATIONS

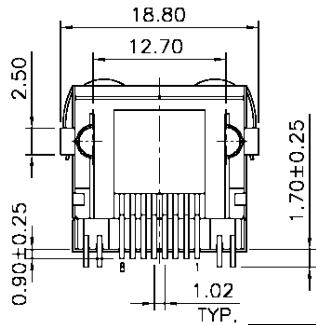
Contact material: Phosphor bronze 0.35mm
 Contact plating: Gold
 Housing material: Nylon 46
 Shield material: Copper alloy 0.25mm
 Shield plating: Nickel

Cavity conforms to FCC rules and regulations Part 68, subpart F



PCB LAYOUT

Ref.



Series	Pos.	Contacts	Style	LED	Color	Plating	Options	Panel Grounds
CTJ	8	08	741S	LXX	BK	PX	XX	PGX
Modular jack	8 pos.	8 contacts	741S style	[blank]=No LED Left then right G=Green Y=Yellow K=Blank R=Red D=Red/green W=Yellow/green P=Orange/green A=Amber	BK=Black	P1=15µ" gold P2=30µ" gold P3=50µ" gold	[blank]=None FS=Full shield	[blank]=None 2=Top 4=Sides 6=Top & sides

RoHS compliant

Rev.	Description	Date	Approved	Drawing	Name	Date
				Approved	Howard	08/10/03
				Checked	Lizzy	08/10/03
				Drawn	Tina	08/10/03
				0.0 ± 0.35	0.00 ± 0.20	Angles ± 3'
				UNIT: mm		

Central Components Manufacturing
 440 Lincoln Blvd., Middlesex, New Jersey 08846
 Phone 732 469-5720 888 288-5152 Fax 732 469-1919

Part No.: **CTJ-8-08-741SLXX-BK-P1-FS-PGX**

Description: Modular jack, side entry, shielded RJ45 with LEDs