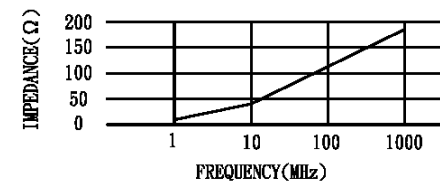
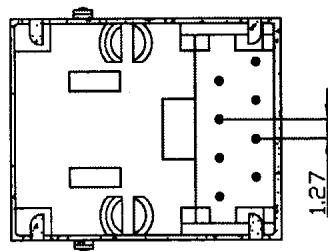
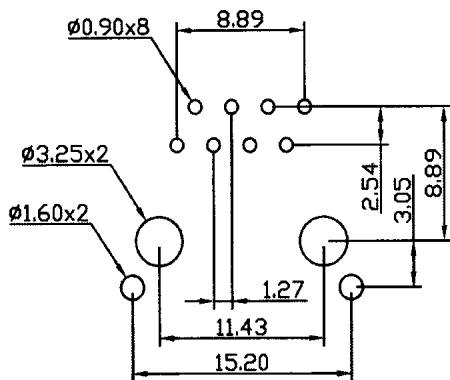


SPECIFICATIONS

Contact material: Phosphor bronze 0.35mm
 Contact plating: Gold in contact area
 Tin on solder tails
 Housing material: PBT glass filled, UL94V-0
 Shield material: Copper alloy 0.25mm
 Shield plating: Nickel or tin
 Filter material: High-impedance, high-resistivity ferrite block



Cavity conforms to FCC rules and regulations Part 68, Subpart F



Series	Positions	Contacts	Body Style	Color	Plating	Options
CTJ	8	08	740S	BK	XX	XX
Modular jack, single position	8=8 positions	08=8 contacts	740S style	BK=Black	P1=15µ" gold P2=30µ" gold P3=50µ" gold	[blank]=None SM=Surface mount MS=Shielded face FF=Ferrite filter FS=Full shield HT=Hi Temp

RoHS compliant

Rev.	Description	Date	Approved	Drawing	Name	Date
A	RoHS	10/4/05	Tom	Approved	Howard	02/19/04
				Checked	Lizzy	02/19/04
				Drawn	Tina	02/19/04

Central Components Manufacturing
 440 Lincoln Blvd., Middlesex, New Jersey 08846
 Phone 732 469-5720 888 288-5152 Fax 732 469-1919

Part No.: **CTJ-8-08-740S-BK-XX-FS-FF**

Description: Modular jack, PCB thru-hole mount, 8P8C, side entry, filtered, shielded

0.0 ± 0.35 0.00 ± 0.20 Angles ± 3'
 UNIT: mm