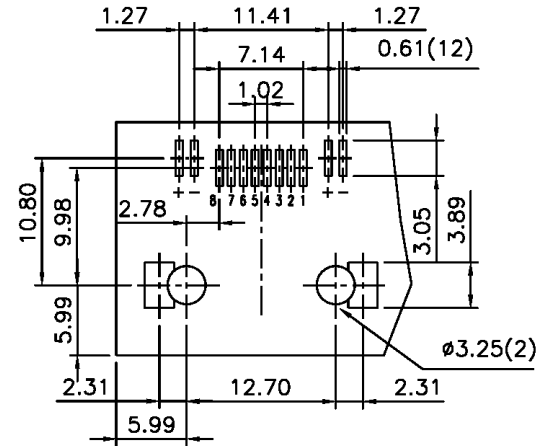
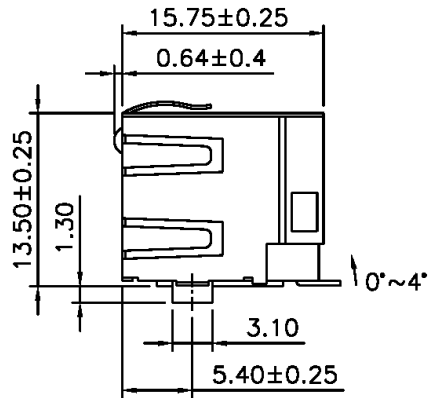
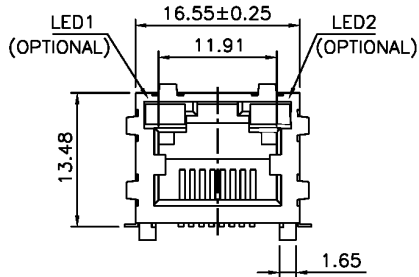


SPECIFICATIONS

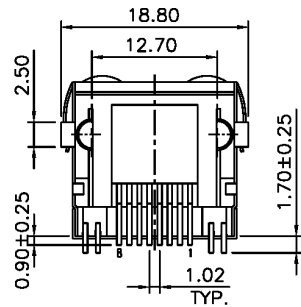
Contact material: Phosphor bronze 0.35mm
 Contact plating: Hard gold on contacts, gold flash in solder area
 Housing material: DSM Stanyl TE250F6 (Nylon -46)
 Shield material: Copper alloy 0.25mm
 Shield plating: Nickel

Note: Cavity conforms to FCC rules and regulations Part 68, Subpart F



PCB LAYOUT

Ref.



Series	Positions	Contacts	Type	Color	Plating	Options	Panel Grounds
CTJ	8	08	714SMLXX	BK	P1	FS	PGX
Mod jack, single position	8=8 positions	08=8 contacts	Omit LXX=no LED; Left then right LED: R=Red; G=Green; Y=Yellow; O=Orange; A=Amber; D=Red/Green; W=Yellow/Green; P=Orange/Green	BK=Black	P1=15µ" gold P2=30µ" gold P3=50µ" gold	[blank]=No shield FS=Full shield	[blank]=None 2=Top 4=Side 6=Top and sides

RoHS compliant

Rev.	Description	Date	Approved	Drawing	Name	Date
				Approved	Howard	08/10/99
				Checked	Lizzy	08/10/99
				Drawn	Tina	08/10/99
				0.0 ± 0.35	0.00 ± 0.20	Angles ± 3'
				UNIT: mm		

Central Components Manufacturing
 440 Lincoln Blvd., Middlesex, New Jersey 08846
 Phone 732 469-5720 888 288-5152 Fax 732 469-1919

Part No.: **CTJ-8-08-714SMLXX-BK-P1-FS-PG6**

Description: Modular phone jack, 8 pins, black, full shield, surface mount