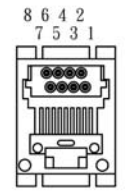
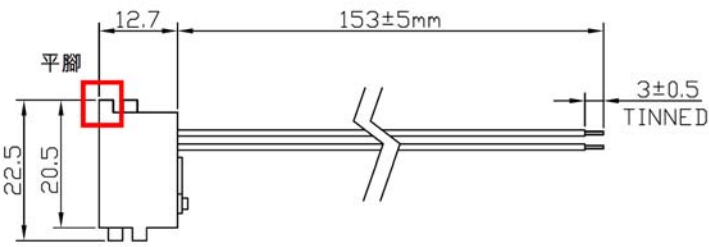
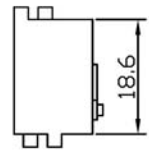
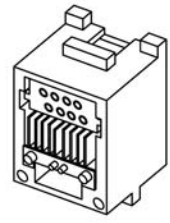
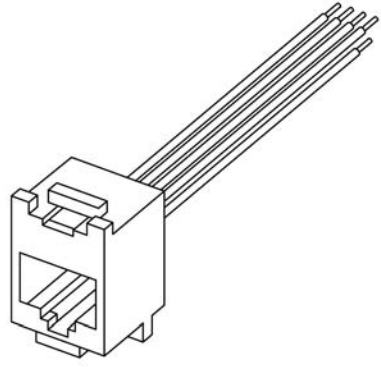


FRONT VIEW



REAR VIEW



Jack	Color
1	Blue
2	Orange
3	Black
4	Red
5	Green
6	Yellow
7	Brown
8	White

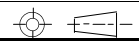
SPECIFICATIONS

Housing: ABS HB, Black Gray
 Contact: Phosphor Bronze, Gold Plating
 Wire: UL-1061 E41396
 AWM80 C VW-1 300V 26AWG
 Insulation Resistance: 10MΩ or more
 Withstanding: AC 500V 1 Minute
 Contact Resistance: 20mΩ Minimum
 Current Rating: 1.5mA

Series	Posi-tions	Contacts	Body Style	Color	Plating	Wired Length
CTJ	8	08	641	XX	P0	XXX
Modular jack, single position	8	8	Wired Mod Jack See drawing	BK=Black GY=Gray	P0=6μ" GD (std)	006=6"

RoHS compliant

Rev.	Description	Date	Approved	Drawing	Name	Date
				Approved	Howard	08/30/10
				Checked	Lizzy	08/30/10
				Drawn	Tina	08/30/10
				0.0 ± 0.35	0.00 ± 0.20	Angles ± 3'



UNIT: mm



Central Components Manufacturing

440 Lincoln Blvd., Middlesex, New Jersey 08846
 Phone 732 469-5720 888 288-5152 Fax 732 469-1919

Part No.: **CTJ-8-08-641-XX-P0-XXX**

Description: Wired modular phone jack