

SPECIFICATIONS

- Turn Ratio(±5%):1CT:1CT
- OCL(100KHz/0.1V@8mA): 350uH Min
- Insertion Loss (dB Max): -1.15dB (0.3-100MHz)
- Return Loss(dB TYP): -16dB(30MHz), -14dB (40MHz), -13.5dB (50MHz), -13dB(60MHz), -10dB (80MHz)
- Cross Talk(dB TYP): -40dB(0.3-30MHz), -35dB(30-60MHz), -30dB (60-100MHz)
- CMR(dB TYP): -30dB(1-30MHz), -2dB(30-60MHz), -20dB(60-125MHz)
- HI-POT: 1500 Vrms
- Housing Material: Nylon UL94V09, Black
- Insert Material: Phos-Bronze C5210 EH—.35mm Thickness
- Shield Material: PBT GF UL94V-0, gold over tin over nickel
- Operating Life: 750 Cycles Min
- Storage Temp: -40°C to +85°C
- Operating Temperature: 0°C to +70°C

Standard LED	Wavelength	Forward*V(MAX)	TYP
Green	565nm	2.5v	2.2v
Yellow	585nm	2.5v	2.1v

With a forward current of 20mA

UNIT:mm Unless otherwise specified, all tolerances are ±0.25

Series	Positions	Contacts	Style	LED	Color	Plating	Options	Panel Grounds
CTJ	8	08	53F1310L	GY	BK	PX	XX	PGX
Modular jack	8 positions	8 contacts	53F1310L Body Style/Magnetic	Y=Yellow LED (right) G=Green LED (left)	BK=Black	P0=3u" gold P1=15µ" gold P2=30µ" gold P3=50µ" gold	[blank]=None FS=Full shield	Blank=None 1=Top (single) 2=Top 4=Sides 6=Top & sides

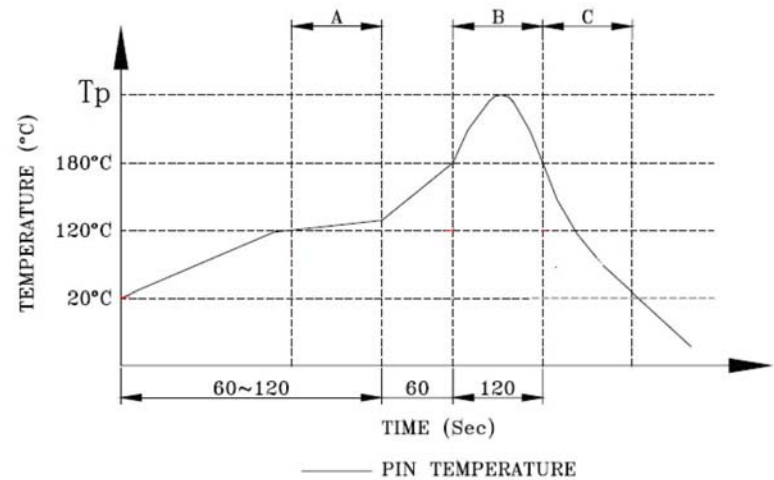
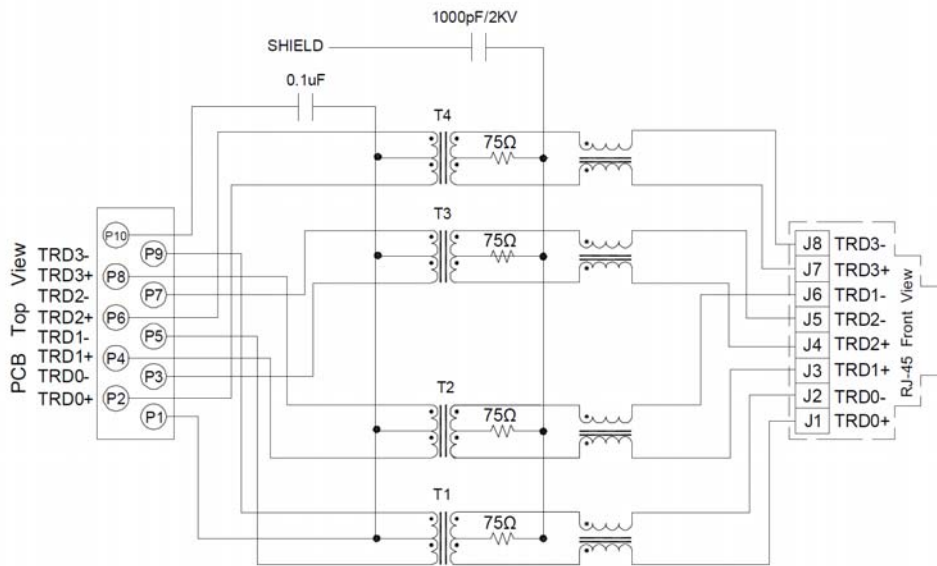
RoHS compliant

Rev.	Description	Date	Approved	Drawing	Name	Date
				Approved	Howard	03/11/12
				Checked	Lizzy	03/11/12
				Drawn	Tina	03/11/12
				0.0 ± 0.35	0.00 ± 0.20	Angles ± 3'
					UNIT: mm	

Central Components Manufacturing
 440 Lincoln Blvd., Middlesex, New Jersey 08846
 Phone 732 469-5720 888 288-5152 Fax 732 469-1919

Part No.: **CTJ-8-08-53F1310LGY-BK-P0-FS**

Description: RJ45 1000 Base-T Jack with Magnetics



A. Preheating B. Soldering C. Gradual Cooling

Peak Temperature: $250 \pm 10^\circ\text{C}$ for 5 Sec max.

Rev.	Description	Date	Approved	Drawing	Name	Date
				Approved	Howard	03/11/12
				Checked	Lizzy	03/11/12
				Drawn	Tina	03/11/12
				0.0 ± 0.35	0.00 ± 0.20	Angles ± 3'
					UNIT: mm	
Central Components Manufacturing 440 Lincoln Blvd., Middlesex, New Jersey 08846 Phone 732 469-5720 888 288-5152 Fax 732 469-1919						Part No.: CTJ-8-08-53F1310LGY-BK-P0-FS
						Description: RJ45 1000 Base-T Jack with Magnetics