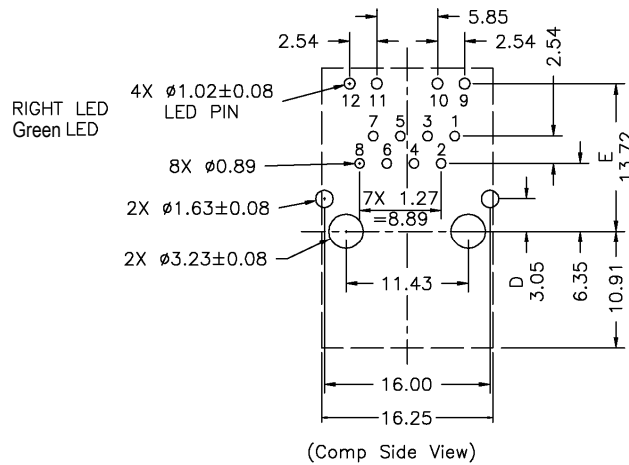
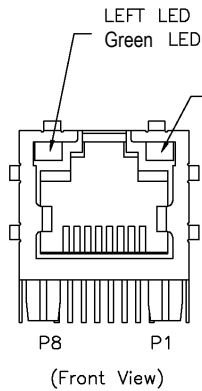
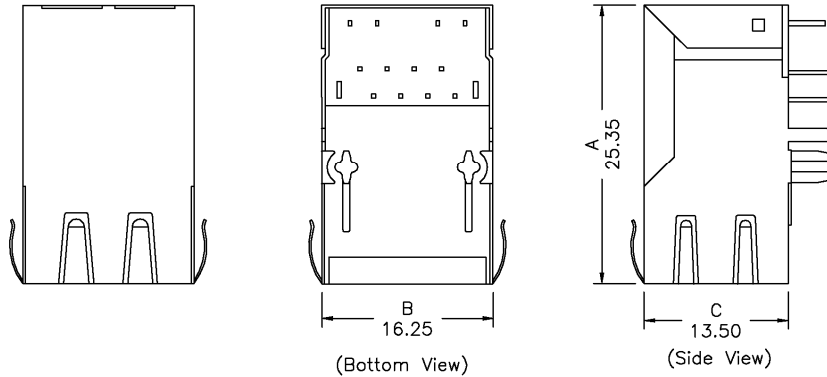


Mechanical Dimensions:



SPECIFICATIONS

Isolation: 1500Vrms

OCL: 350uH Minimum @100KHz 100mV with 8mADC

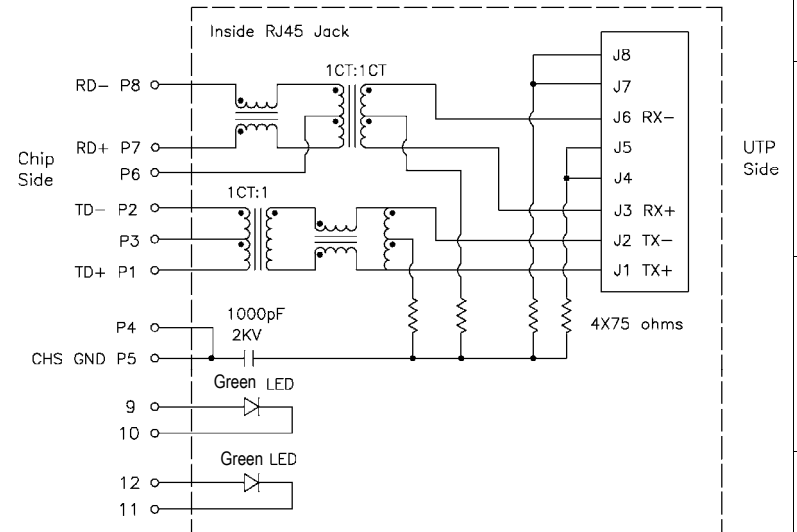
Insertion Loss: -1.0 Max @300KHz ~ 100MHz

Return Loss: -20dB min @1MHz ~ 10MHz
-16dB Min @10MHz ~ 30MHz
-12dB Min @30MHz ~ 60MHz
-10dB Min @60MHz ~ 80MHz

Common Mode Rejection: -30dB Min @1MHz ~ 50MHz
-20dB Min @ 50MHz ~ 150MHz

Crosstalk: -40dB Min @1MHz~30MHz/-35dB Min @30MHz ~60MHz
-30dB Min@60MHz~100MHz

Schematics



Notes: Connect CHS GND to PCB Ground

RoHS compliant

Rev.	Description	Date	Approved	Drawing	Name	Date
				Approved	Howard	12/10/09
				Checked	Lizzy	12/10/09
				Drawn	Tina	12/10/09
				0.0 ± 0.35	0.00 ± 0.20	Angles ± 3'
				UNIT: mm		

Central Components Manufacturing
 440 Lincoln Blvd., Middlesex, New Jersey 08846
 Phone 732 469-5720 888 288-5152 Fax 732 469-1919

Part No.: **CTJ-8-08-47F127UGG-BK-P1-FS-PG6**

Description: Single Port RJ45 Connector