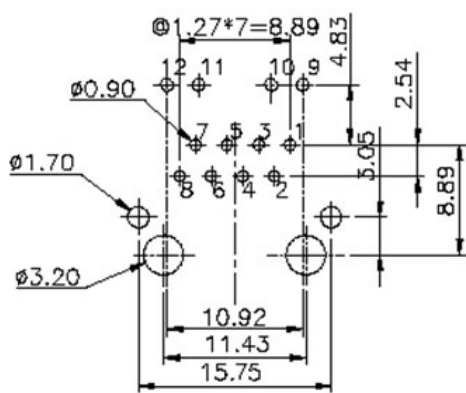
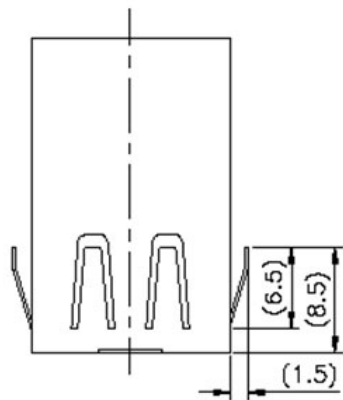


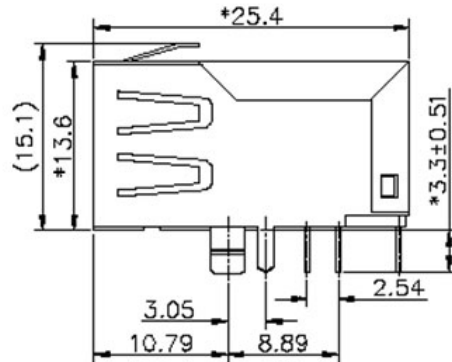
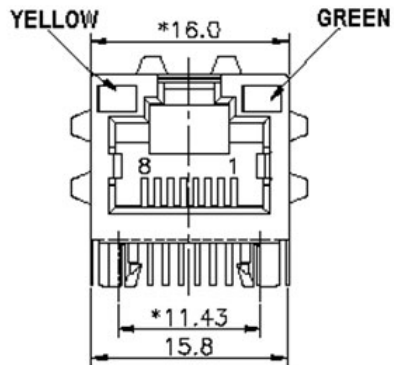
1 2 3 4 5 6 7 8 9

A



B

C



D

E

SPECIFICATIONS

Contact Pin Material: Phosphor Bronze C5210
 EH—.35mm Thick
 Plating(1) Nickel 30u" ~70u"
 Plating(2) 100%Sn 100u " ~150u"
 Housing Material: Nylon GF (Fr50) UL94V-0, Black
 Insert Material: Phosphor Bronze C5210
 EH—0.35mm Thickness
 Insert—PBT GF UL94V-0
 Plating(1) Nickel 50u " ~80u"
 Plating(2) 100%Sn 100u " ~150u"
 Plating(3) Gold (3u " ~50u")
 Plate Material: PBT GF UL 94V-0
 Shield Material: Brass C2680 H.—0.25mm Thickness
 Plating Nickel 30U"—50U"
 Operating Life: 750 Cycles MIN
 Operating Temp: 0°C to +70°C
 Wave Soldering Temp: 230~250°C(3~5 seconds)
 Storage Temp: -40°C TO+85°C
 Inductance: 250uH MIN
 HI-POT: 1500Vrms/0.5mA/2Sec
 Turn Ratio: TX=1CT:1,RX=1CT:1CT
 Insertion Loss: -1.0dB TYP
 Return Loss: -20/-16/-12/-10dB TYP
 Crosstalk: -40/-35/-30dB TYP
 CMR: -30/-20dB TYP

A

B

C

D

E

Series	Positions	Contacts	Style	LED	Color	Plating	Options	Panel Grounds
CTJ	8	08	47F1203	YG	BK	PX	XX	PGX
Modular jack	8 positions	8 contacts	47F1203 Body Style/Magnetic	Y=Yellow LED (right) G=Green LED (left)	BK=Black	P1=15µ" gold P2=30µ" gold P3=50µ" gold	[blank]=None FS=Full shield	1=Top (single) 2=Top 4=Sides 6=Top & sides

RoHS compliant

Rev.	Description	Date	Approved	Drawing	Name	Date
				Approved	Howard	02/09/07
				Checked	Lizzy	02/09/07
				Drawn	Tina	02/09/07
				0.0 ± 0.35	0.00 ± 0.20	Angles ± 3'
				UNIT: mm		

Central Components Manufacturing
 440 Lincoln Blvd., Middlesex, New Jersey 08846
 Phone 732 469-5720 888 288-5152 Fax 732 469-1919

Part No.: **CTJ-8-08-47F1203YG-BK-P1-FS-PGX**

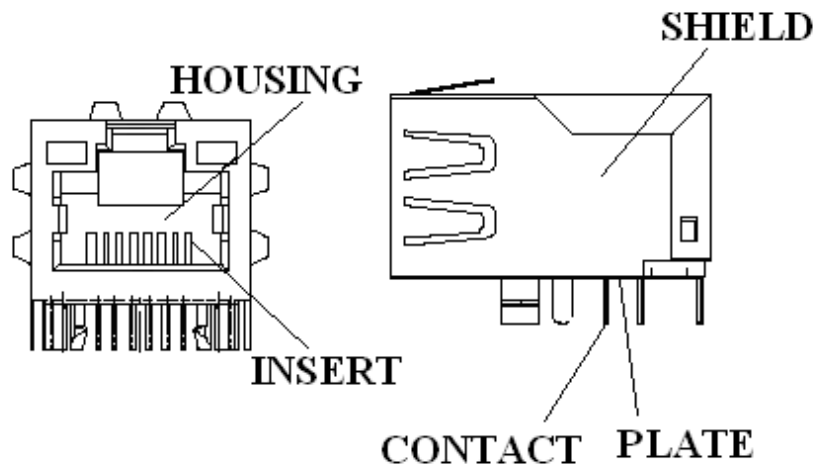
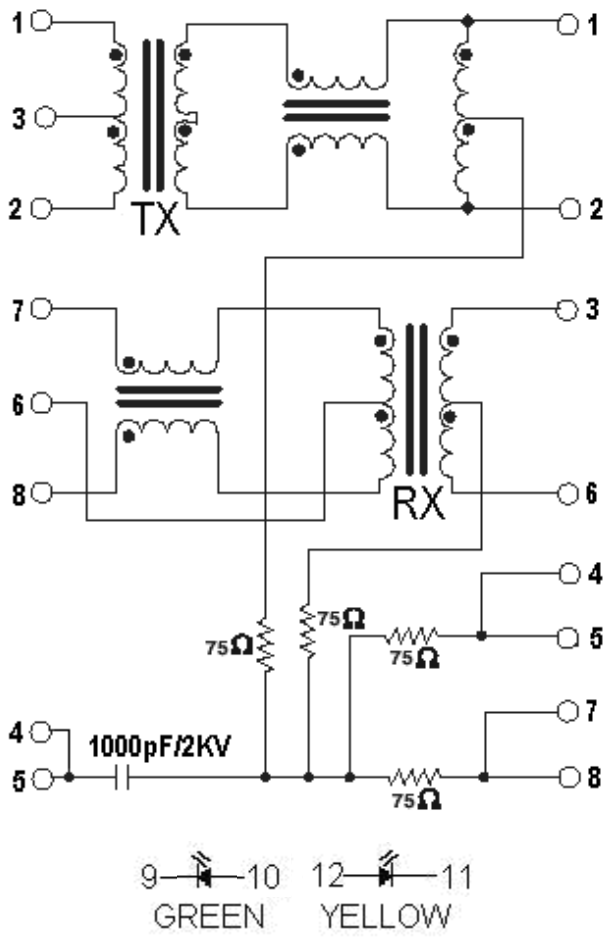
Description: 100/100 Base-T Single Port RJ-45 Jack

G

G

1 2 3 4 5 6 7 8 9

PCB SIDE TO PHY



RoHS compliant

Rev.	Description	Date	Approved	Drawing	Name	Date
				Approved	Howard	02/09/07
				Checked	Lizzy	02/09/07
				Drawn	Tina	02/09/07
				0.0 ± 0.35	0.00 ± 0.20	Angles ± 3'
				UNIT: mm		

Central Components Manufacturing
 440 Lincoln Blvd., Middlesex, New Jersey 08846
 Phone 732 469-5720 888 288-5152 Fax 732 469-1919

Part No.: **CTJ-8-08-47F1203YG-BK-P1-FS-PG6**

Description: 100/100 Base-T Single Port RJ-45 Jack