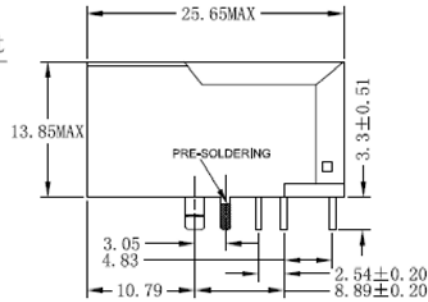
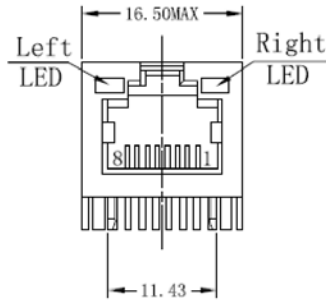


PC Board Layout
Component Side Shown



UNIT:mm Unless otherwise specified, all tolerances are ± 0.25

SPECIFICATIONS

Contact Pin Material: Phosphor Bronze C5210
EH—.35mm Thick
Plating(1) Nickel
Plating(2) 100%Sn

Housing Material: Nylon GF (Fr50) UL94V-0, Black
Insert Material: Phosphor Bronze C5210
EH—0.35mm Thickness
Insert—PBT GF UL94V-0
Plating(1) Nickel
Plating(2) 100%Sn
Plating(3) Gold (3u " ~50u")

Plate Material: PBT GF UL 94V-0
Shield Material: Brass C2680 H.—0.25mm Thickness
Plating Nickel 30U"—50U"

Operating Life: 750 Cycles MIN
Operating Temp: -40°C to +85°C
Storage Temp: -40°C TO+85°C
HI-POT: 1500Vrms/0.5mA/2Sec
Turn Ratio: TX=1CT:1,RX=1CT:1CT
Insertion Loss: -1.0dB TYP
Return Loss: -20/-16/-12/-10dB TYP
Crosstalk: -40/-35/-30dB TYP
CMR: -30/-20dB TYP

Series	Positions	Contacts	Style	LED	Color	Plating	Options	Panel Grounds
CTJ	8	08	47F1203	GY	BK	PX	XX	PGX
Modular jack	8 positions	8 contacts	47F1203 Body Style/Magnetic	Y=Yellow LED (right) G=Green LED (left)	BK=Black	P1=15 μ " gold P2=30 μ " gold P3=50 μ " gold	[blank]=None FS=Full shield	Blank=None 1=Top (single) 2=Top 4=Sides 6=Top & sides

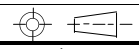
RoHS compliant

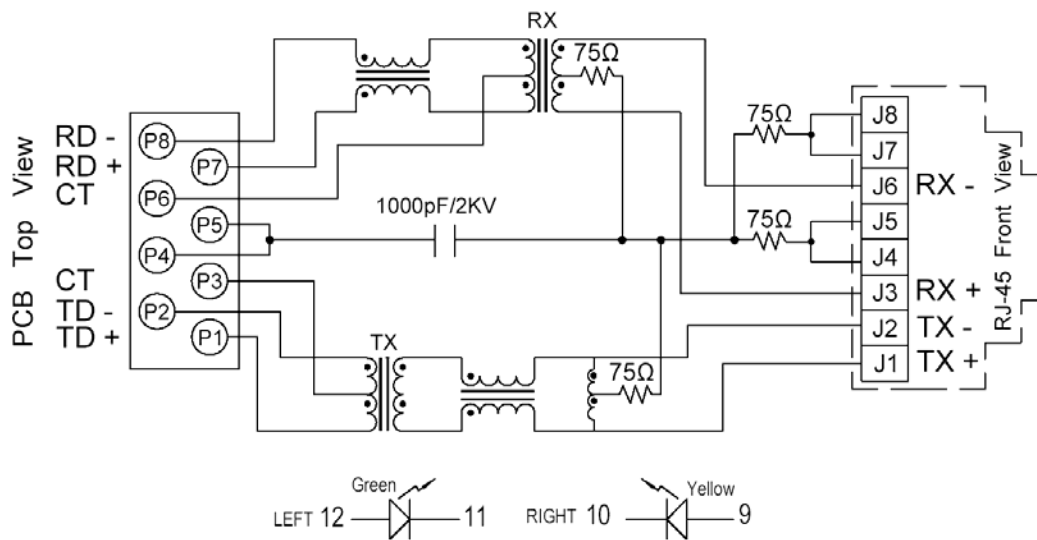
Rev.	Description	Date	Approved	Drawing	Name	Date
				Approved	Howard	02/09/07
				Checked	Lizzy	02/09/07
				Drawn	Tina	02/09/07
				0.0 \pm 0.35	0.00 \pm 0.20	Angles \pm 3'
				UNIT: mm		

Central Components Manufacturing
440 Lincoln Blvd., Middlesex, New Jersey 08846
Phone 732 469-5720 888 288-5152 Fax 732 469-1919

Part No.: **CTJ-8-08-47F1203GY-BK-PX-FS**

Description: 10/100 Base-T Single Port RJ-45 Jack w/ Magnetics





RoHS compliant

Rev.	Description	Date	Approved	Drawing	Name	Date
				Approved	Howard	02/09/07
				Checked	Lizzy	02/09/07
				Drawn	Tina	02/09/07
				0.0 ± 0.35	0.00 ± 0.20	Angles ± 3'
					UNIT: mm	

Central Components Manufacturing
 440 Lincoln Blvd., Middlesex, New Jersey 08846
 Phone 732 469-5720 888 288-5152 Fax 732 469-1919

Part No.: **CTJ-8-08-47F1203GY-BK-PX-FS**

Description: 10/100 Base-T Single Port RJ-45 Jack w/ Magnetics