

**SPECIFICATIONS**

Contact Pin Material: Phosphor Bronze C5210  
 EH—0.35mm Thick  
 Plating(1) Nickel 30u” ~70u”  
 Plating(2) 100%Sn 100u” ~150u”

Housing Material: Nylon GF (Fr50) UL94V-0, Black  
 Insert Material: Phosphor Bronze C5210  
 EH—0.35mm Thickness  
 Insert—PBT GF UL94V-0  
 Plating(1) Nickel 50u” ~80u”  
 Plating(2) 100%Sn 100u” ~150u”  
 Plating(3) Gold (3u” ~50u”)

Plate Material: PBT GF UL 94V-0  
 Shield Material: Brass C2680 H.—0.25mm Thickness  
 Plating Nickel 30U”—50U”

Operating Life: 750 Cycles MIN  
 Operating Temp: 0°C to +70°C  
 Wave Soldering Temp: 230~250°C(3~5 seconds)  
 Storage Temp: -40°C TO+85°C  
 Inductance: 250uH MIN  
 HI-POT: 1500Vrms/0.5mA/2Sec  
 Turn Ratio: TX=1CT:1,RX=1CT:1CT  
 Insertion Loss: -1.0dB TYP  
 Return Loss: -20/-16/-12/-10dB TYP  
 Crosstalk: -40/-35/-30dB TYP  
 CMR: -30/-20dB TYP

Series	Positions	Contacts	Style	LED	Color	Plating	Options	Panel Grounds
CTJ	8	08	47F1203	BGY	BK	PX	XX	PGX
Modular jack	8 positions	8 contacts	47F1203 Body Style/Magnetic	Y=Yellow LED (right) G=Green LED (left)	BK=Black	P1=15µ” gold P2=30µ” gold P3=50µ” gold	[blank]=None FS=Full shield	Blank=None 1=Top (single) 2=Top 4=Sides 6=Top & sides

RoHS compliant

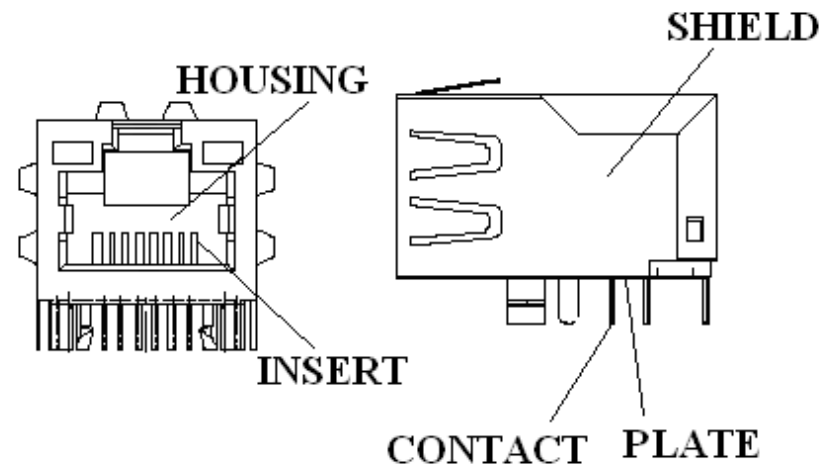
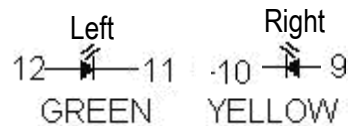
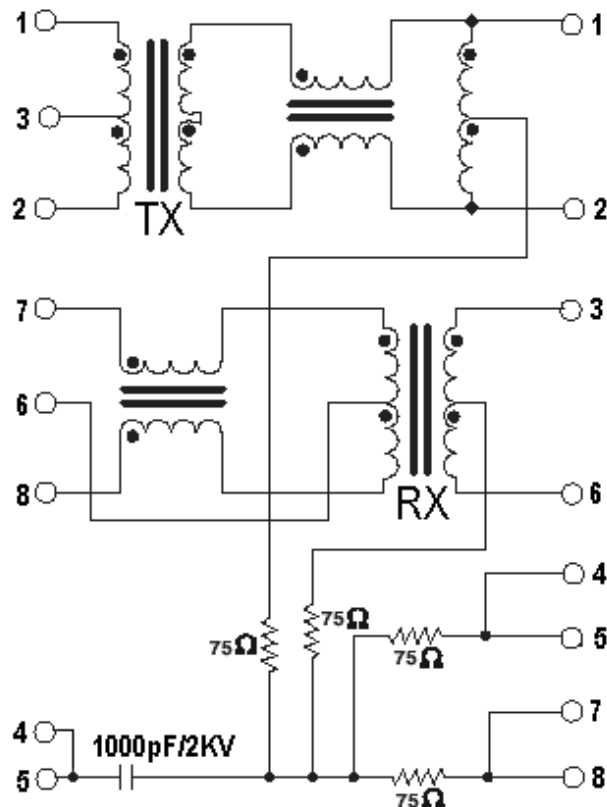
Rev.	Description	Date	Approved	Drawing	Name	Date
				Approved	Howard	02/09/07
				Checked	Lizzy	02/09/07
				Drawn	Tina	02/09/07
				0.0 ± 0.35	0.00 ± 0.20	Angles ± 3'
				UNIT: mm		

**Central Components Manufacturing**  
 440 Lincoln Blvd., Middlesex, New Jersey 08846  
 Phone 732 469-5720 888 288-5152 Fax 732 469-1919

Part No.: **CTJ-8-08-47F1203BGY-BK-P1-FS-PG6**

Description: 100/100 Base-T Single Port RJ-45 Jack

PCB SIDE TO PHY



RoHS compliant

Rev.	Description	Date	Approved	Drawing	Name	Date
				Approved	Howard	02/09/07
				Checked	Lizzy	02/09/07
				Drawn	Tina	02/09/07
				0.0 ± 0.35	0.00 ± 0.20	Angles ± 3'
					UNIT: mm	

**Central Components Manufacturing**  
440 Lincoln Blvd., Middlesex, New Jersey 08846  
Phone 732 469-5720 888 288-5152 Fax 732 469-1919

Part No.: **CTJ-8-08-47F1203BGY-BK-P1-FS-PG6**

Description: 100/100 Base-T Single Port RJ-45 Jack