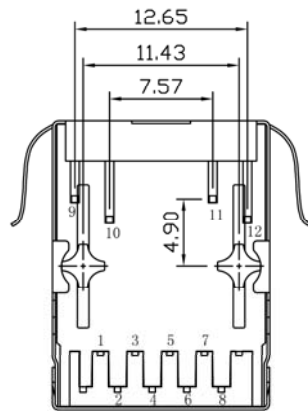


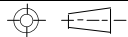
SUGGESTED PCB LAYOUT (TOP VIEW)




**SPECIFICATIONS**

Housing:	Thermoplastic UL94V-0
Contact:	Copper Alloy
Shield Plating:	Nickel
Contact Plating:	Gold in contact area
Wave Solder Tip Temp:	265C Max
Wave Solder Time:	5 Sec Max

RoHS compliant

Rev.	Description	Date	Approved	Drawing	Name	Date
				Approved	Howard	06/15/06
				Checked	Lizzy	06/15/06
				Drawn	Tina	06/15/06
				0.0 ± 0.35	0.00 ± 0.20	Angles ± 3'
						UNIT: mm

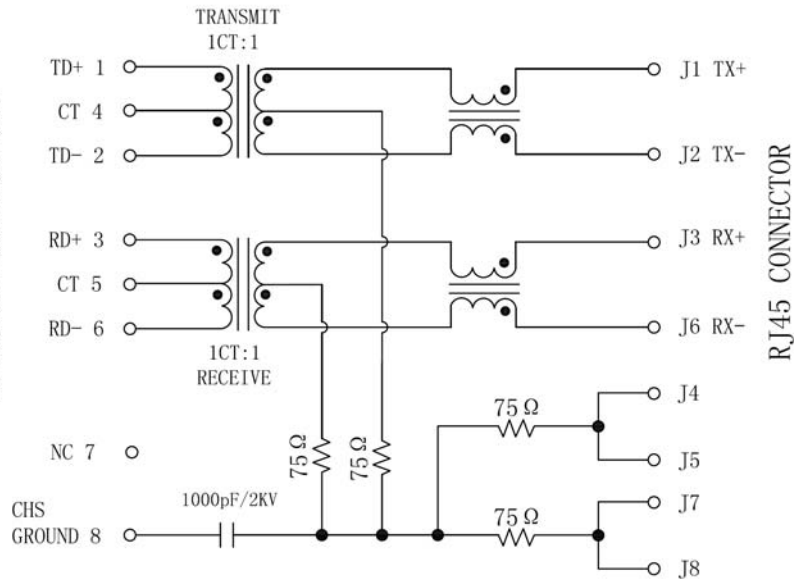


**Central Components Manufacturing**  
440 Lincoln Blvd., Middlesex, New Jersey 08846  
Phone 732 469-5720 888 288-5152 Fax 732 469-1919

**Part No.: CTJ-8-08-4011MLGY-BK-P0-FS-PG6**

Description RJ45 Connector with 10/100 Base-T  
Integrated Magnetics

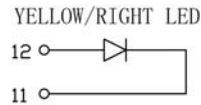
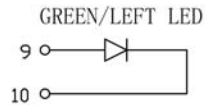
PC BOARD CONNECTIONS



RJ45 CONNECTOR

SPECIFICATIONS

- Turn Ratio ( $\pm 2\%$ ): TX=1CT:1
- Inductance OCL: 350uH Min @ 100KHz 0.1V 8mA DC Bias
- Insertion Loss:
  - 18dB Min @ 1-30MHz
  - 15dB Min @ 30-60MHz
  - 12dB Min @ 60-80MHz
  - 10dB Min @ 80-100MHz
- Cross Talk:
  - 40dB Min @ 30MHz
  - 35dB Min @ 60MHz
  - 30dB Min @ 100MHz
- Common Mode Rejection:
  - 40dB Min @ 30MHz
  - 35dB Min @ 60MHz
  - 30dB Min @ 100MHz
- Hipot: 1500Vrms
- LED Lamp:
  - Wave Length: Green/Yellow: 570nm/590nm
  - Forward Voltage (Vf): 1.8V-2.4V (Test Condition: 20mA)
  - Operating Temperature: -40C to +85C



Rev.	Description	Date	Approved	Drawing	Name	Date
				Approved	Howard	06/15/06
				Checked	Lizzy	06/15/06
				Drawn	Tina	06/15/06
				0.0 ± 0.35	0.00 ± 0.20	Angles ± 3'
					UNIT: mm	

**Central Components Manufacturing**  
 440 Lincoln Blvd., Middlesex, New Jersey 08846  
 Phone 732 469-5720 888 288-5152 Fax 732 469-1919

Part No.: **CTJ-8-08-4011MLGY-BK-P0-FS-PG6**

Description	RJ45 Connector with 10/100 Base-T Integrated Magnetics
-------------	--

G

G