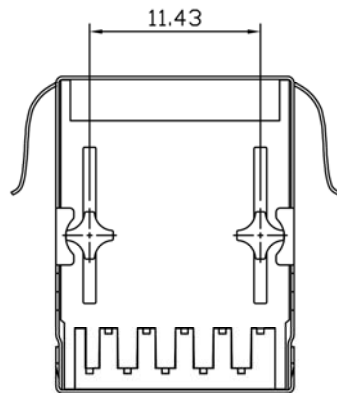


SUGGESTED PCB LAYOUT (TOP VIEW)



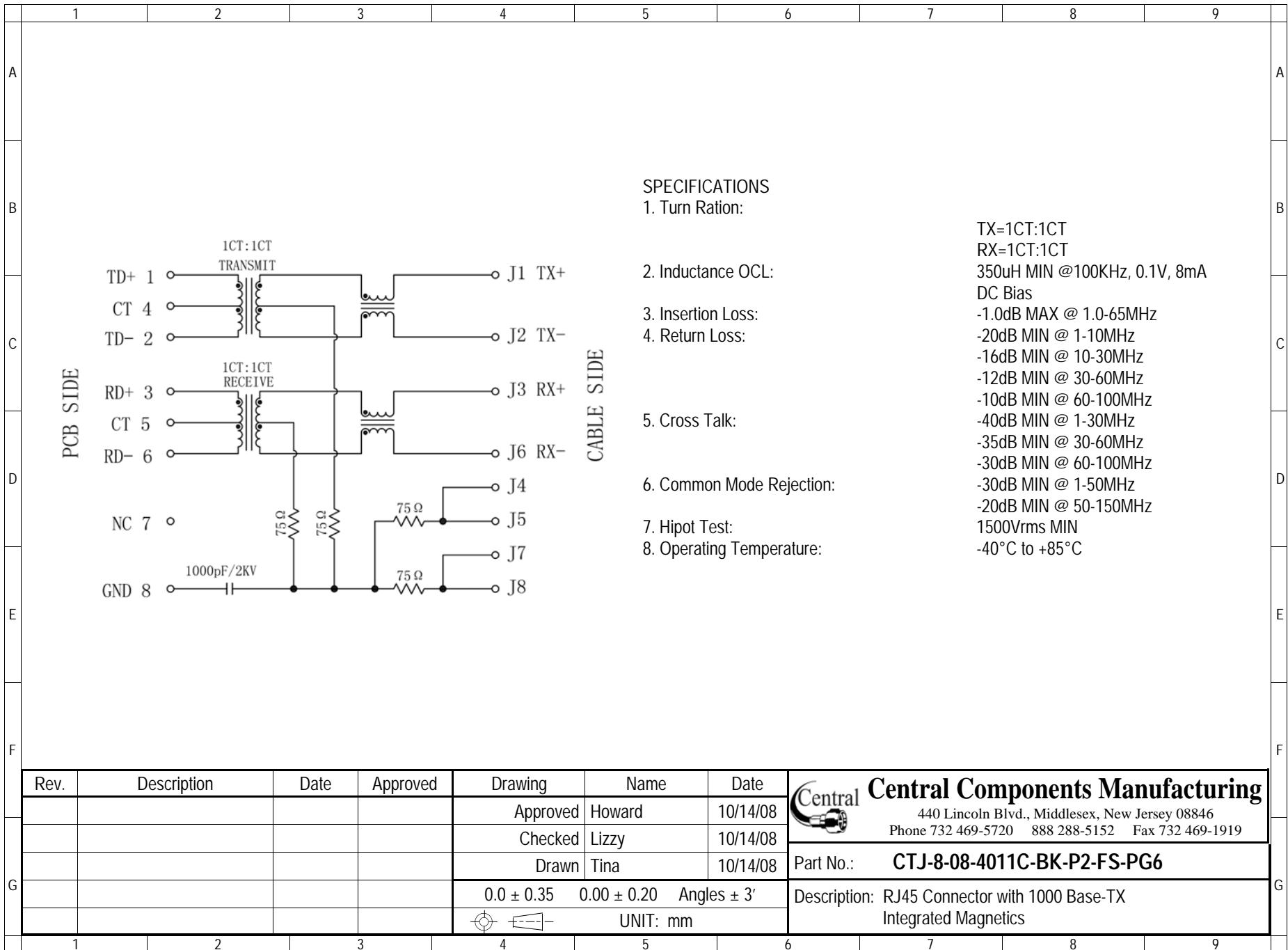
SPECIFICATIONS

1. Designed to support applications such as SOHO (ADSL modems), LAN-on-Motherboard (LOM), hub and Switches
2. Meets IEEE 802.3 specification
3. Connector Materials:

Housing: Thermoplastic UL94V-0
 Contact/Shield: Copper Alloy
 Shield Plating: Nickel
 Contact Plating: Gold 30 micro-inches min. in contact area
 Processing Temp: 265C Max for 5 Sec max

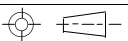
RoHS compliant


Rev.	Description	Date	Approved	Drawing	Name	Date
				Approved	Howard	10/14/08
				Checked	Lizzy	10/14/08
				Drawn	Tina	10/14/08
				0.0 ± 0.35	0.00 ± 0.20	Angles ± 3'
					UNIT: mm	
						Central Components Manufacturing 440 Lincoln Blvd., Middlesex, New Jersey 08846 Phone 732 469-5720 888 288-5152 Fax 732 469-1919
						Part No.: CTJ-8-08-4011C-BK-P2-FS-PG6
						Description: RJ45 Connector with 1000 Base-TX Integrated Magnetics



SPECIFICATIONS

- 1. Turn Ratio: TX=1CT:1CT
RX=1CT:1CT
- 2. Inductance OCL: 350uH MIN @100KHz, 0.1V, 8mA
DC Bias
- 3. Insertion Loss: -1.0dB MAX @ 1.0-65MHz
- 4. Return Loss: -20dB MIN @ 1-10MHz
-16dB MIN @ 10-30MHz
-12dB MIN @ 30-60MHz
-10dB MIN @ 60-100MHz
- 5. Cross Talk: -40dB MIN @ 1-30MHz
-35dB MIN @ 30-60MHz
-30dB MIN @ 60-100MHz
- 6. Common Mode Rejection: -30dB MIN @ 1-50MHz
-20dB MIN @ 50-150MHz
- 7. Hipot Test: 1500Vrms MIN
- 8. Operating Temperature: -40°C to +85°C

Rev.	Description	Date	Approved	Drawing	Name	Date
				Approved	Howard	10/14/08
				Checked	Lizzy	10/14/08
				Drawn	Tina	10/14/08
				0.0 ± 0.35	0.00 ± 0.20	Angles ± 3'
						UNIT: mm


Central Components Manufacturing
 440 Lincoln Blvd., Middlesex, New Jersey 08846
 Phone 732 469-5720 888 288-5152 Fax 732 469-1919

Part No.: **CTJ-8-08-4011C-BK-P2-FS-PG6**

Description: RJ45 Connector with 1000 Base-TX Integrated Magnetics