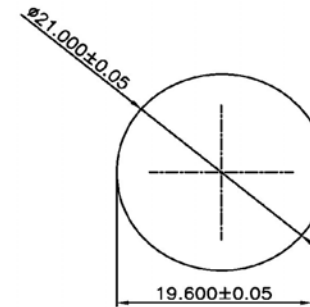
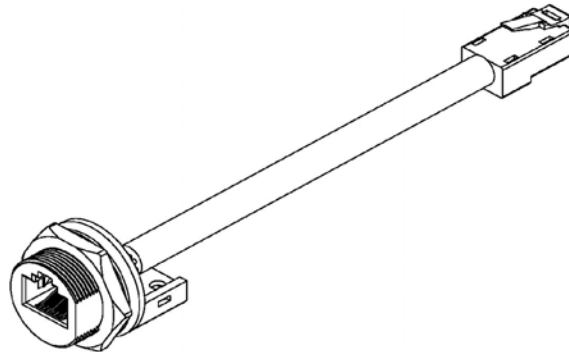


**SPECIFICATIONS**

Plastic Housing: Thermoplastic UL94V-0  
 Contact Material: Phosphor Bronze  
                           Gold plating over Nickel  
 Nut: Thermoplastic UL94V-0  
 Gasket: EPDM  
 Protection: IP67



**Panel Cut-Out**  
 Panel Thick: 1.5~2.0mm

RoHS compliant

| Rev. | Description | Date | Approved | Drawing    | Name        | Date        |
|------|-------------|------|----------|------------|-------------|-------------|
|      |             |      |          | Approved   | Howard      | 06/22/98    |
|      |             |      |          | Checked    | Lizzy       | 06/22/98    |
|      |             |      |          | Drawn      | Tina        | 06/22/98    |
|      |             |      |          | 0.0 ± 0.35 | 0.00 ± 0.20 | Angles ± 3' |
|      |             |      |          |            |             | UNIT: mm    |

**Central Components Manufacturing**  
 440 Lincoln Blvd., Middlesex, New Jersey 08846  
 Phone 732 469-5720 888 288-5152 Fax 732 469-1919

Part No.: **CTJ-8-08-3352D-BK-P2-XXX**

Description: Female to Male Adaptor