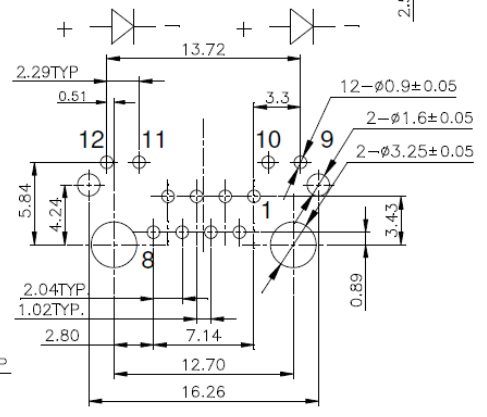
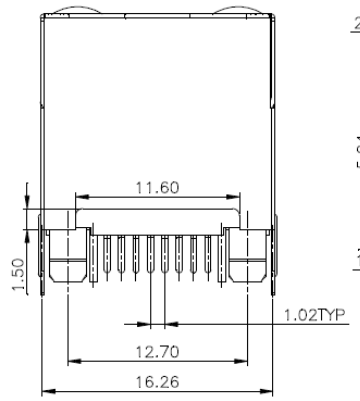


SPECIFICATIONS

Housing: Thermoplastic UL94V-0
 Contacts: Phosphor Bronze
 Contact Plating: Gold Plating over Nickel in Contact
 Tin Plating over Nickel in Solder Area
 Shield: Brass with Nickel Plating



LED SCHEMATIC
PCB LAYOUT/TOP VIEW

Panel Grounds (X)		Code	LED
Blank	None	G	Green
1,2	Top	Y	Yellow
4	Sides	D	Red/Green
6	Both	N	Green/Red
		W	Yellow/Green
		K	Blank

Series	Positions	Contacts	Body Style	LED	Color	Plating	Options
CTJ	8	XX	3061	LXX	XX	PX	XX
Modular jack, single position	8 Pos.	4-8	Top Entry	L=LEDs XX=Left/Right (see chart)	BK=Black	P0=6μ" P1=15μ" P2=30μ" P3=50μ"	Blank=None FSX=Full shield (see chart) WF=Without flange

RoHS compliant

Rev.	Description	Date	Approved	Drawing	Name	Date
				Approved	Howard	03/30/08
				Checked	Lizzy	03/30/08
				Drawn	Tina	03/30/08
				0.0 ± 0.35	0.00 ± 0.20	Angles ± 3'
				UNIT: mm		

Central Components Manufacturing
 440 Lincoln Blvd., Middlesex, New Jersey 08846
 Phone 732 469-5720 888 288-5152 Fax 732 469-1919

Part No.: **CTJ-8-08-3061LXX-BK-PX-FSX-WF**

Description: Modular jack, top entry, single port, PCB mount, shielded with LED