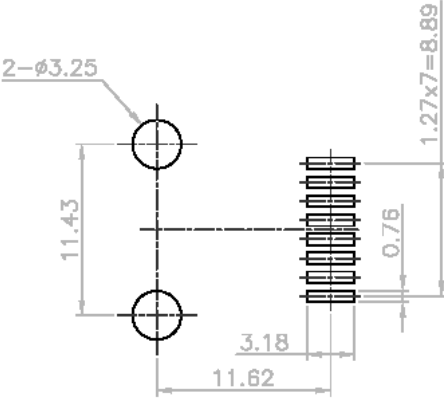
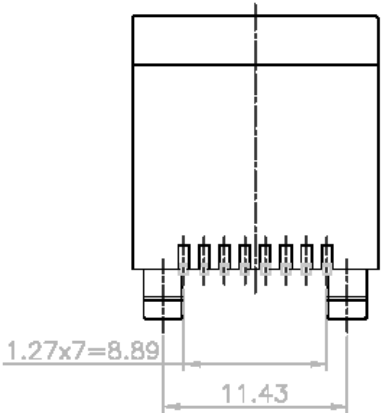
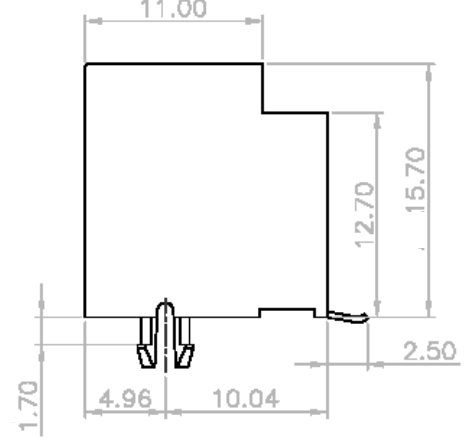


SPECIFICATIONS

Housing material: Glass filled polyester, UL94V-0, black
 Contact material: Alloy, 0.35mm
 Contact plating: Gold over nickel



PC Board Layout
(Top View)



Series	Positions	Contacts	Body Style	Mold Color	Plating	Options
CTJ	X	XX	3018	BK	PX	XXX
Modular telephone jack	4, 6, 8	02, 04, 06, 08	Style 3018	BK=Black	P1=15μ" gold P2=30μ" gold P3=50μ" gold	CAT3=Cat 3 CAT5=Cat 5

RoHS compliant

Rev.	Description	Date	Approved	Drawing	Name	Date
				Approved	Howard	08/10/99
				Checked	Lizzy	08/10/99
				Drawn	Tina	08/10/99
				0.0 ± 0.35	0.00 ± 0.20	Angles ± 3°
				UNIT: mm		

Central Components Manufacturing
 440 Lincoln Blvd., Middlesex, New Jersey 08846
 Phone 732 469-5720 888 288-5152 Fax 732 469-1919

Part No.: **CTJ-8-08-3018-BK-PX-XXX**

Description: Modular telephone jack, 8P8C, SMT type