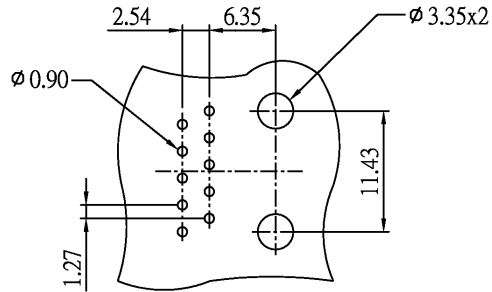
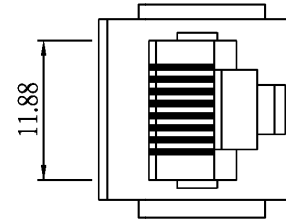
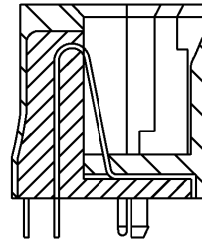
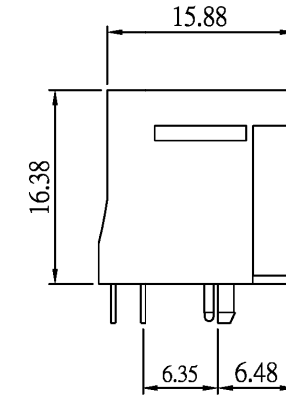
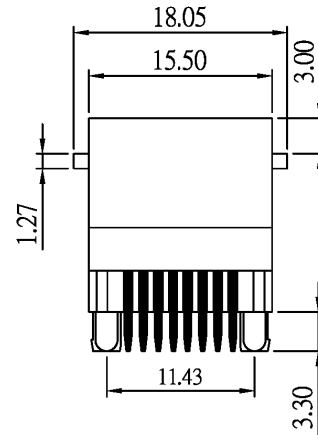


SPECIFICATIONS

Contact: 0.35mm thickness phosphor Bronze alloy.
 Contact Plating: Gold over Nickel on contact area. Tin over Nickel on tail area.
 Housing: 10% glass fiber PBT UL 94V-0
 Standard color:black



LAYOUT/TOP VIEW



RoHS compliant

Series	Positions	Contacts	Body Style	Color	Plating	Options
CTJ	X	XX	260	BK	PX	XX
Modular Jack	6,8,10	4,6,8,10	Top entry	BK=Black	P1=15μ" gold P2=30μ" gold P3=50μ" gold	[blank]=None WF=Without flange FS=Full shield KY=Keyed



KY: With Keyway (8 & 10p only)



WF: NO flange

Rev.	Description	Date	Approved	Drawing	Name	Date
				Approved	Howard	11/04/03
				Checked	Lizzy	11/04/03
				Drawn	Tina	11/04/03
				0.0 ± 0.35	0.00 ± 0.20	Angles ± 3'
				UNIT: mm		

Central Components Manufacturing
 440 Lincoln Blvd., Middlesex, New Jersey 08846
 Phone 732 469-5720 888 288-5152 Fax 732 469-1919

Part No.: **CTJ-8-08-260-BK-XX**

Description: P.C.B Mount Modular Jack