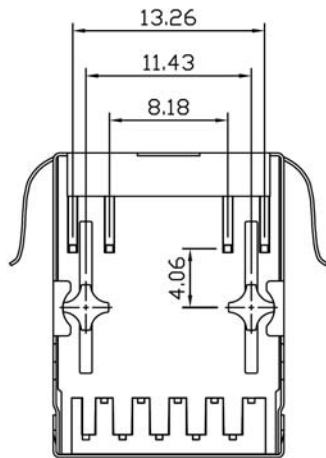


SUGGESTED PCB LAYOUT (TOP VIEW)



SPECIFICATIONS

Designed to support applications such as SOHO (ADSL modems), Lan-on-Motherboard (LOM), hub, & switches
 Meets IEEE 802.3 specifications

- Housing Material: Thermoplastic UL94V-0
- Contact Material: Copper Alloy
- Shield Plating: Nickel
- Contact Plating: Gold 6 micro-inches min. in contact area
- Wave Solder Temp: 265C @ 5 Sec Max.

Series	Positions	Contacts	Body Style	Type	Color	Plating	Options	Panel Grounds
CTJ	8	08	13F67BLXX	D1	BK	PX	XX	PGX
Modular Jack	8 Positions	8 Contacts	13F67BLStyle (XX=LED Colors) Y=Yellow G=Green	D1 Type	BK=Black	P1=15u" gold P2=30u" gold P3=50u" gold	[blank]=None FS=Full Shield	Black=None 2=Top 4=Sides 6=Top & Sides

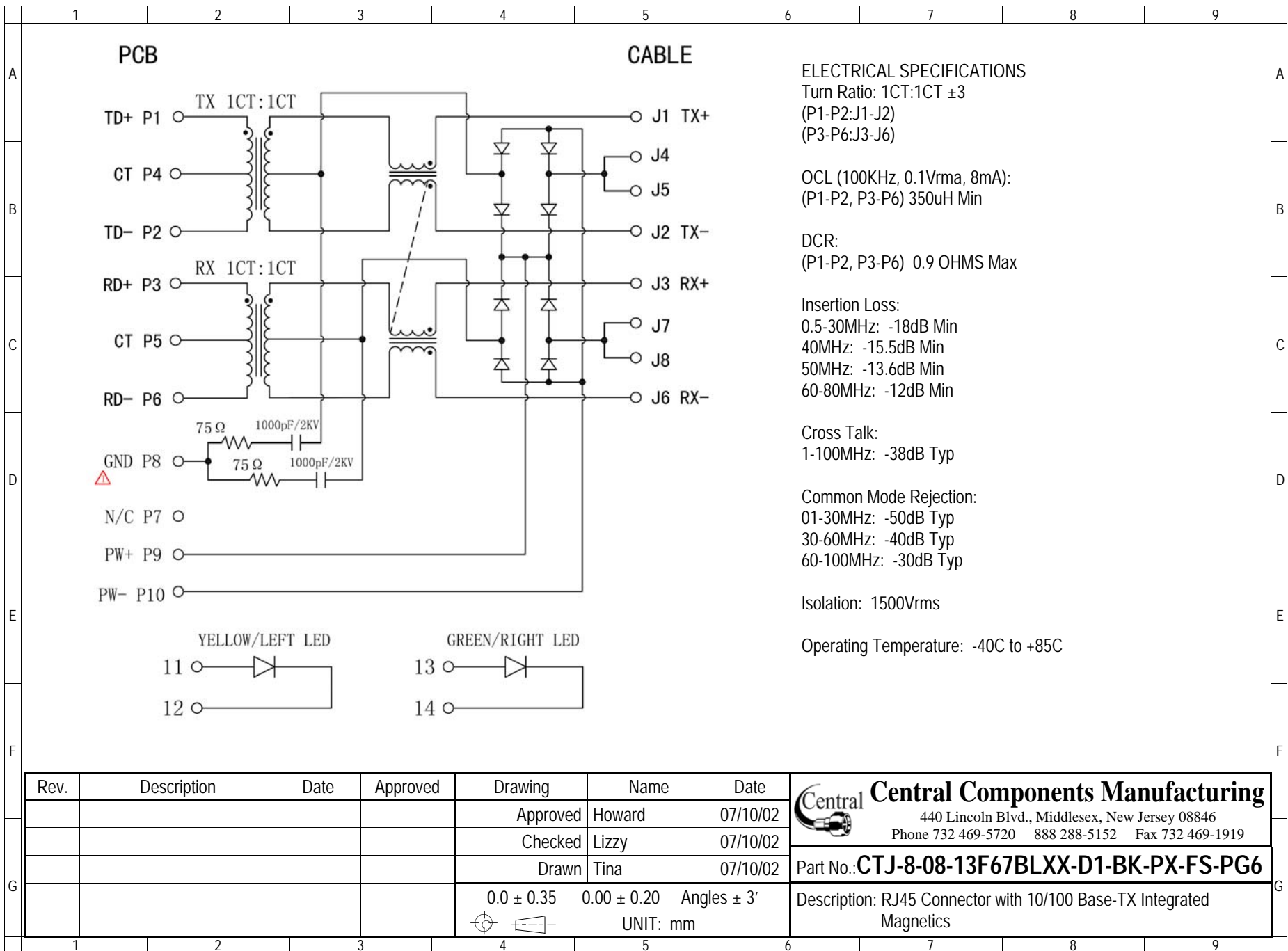
RoHS compliant

Rev.	Description	Date	Approved	Drawing	Name	Date
				Approved	Howard	07/10/02
				Checked	Lizzy	07/10/02
				Drawn	Tina	07/10/02
				0.0 ± 0.35	0.00 ± 0.20	Angles ± 3'
				UNIT: mm		

Central Components Manufacturing
 440 Lincoln Blvd., Middlesex, New Jersey 08846
 Phone 732 469-5720 888 288-5152 Fax 732 469-1919

Part No.: **CTJ-8-08-13F67BLXX-D1-BK-PX-FS-PG6**

Description: RJ45 Connector with 10/100 Base-TX Integrated Magnetics



ELECTRICAL SPECIFICATIONS

Turn Ratio: 1CT:1CT ±3
(P1-P2:J1-J2)
(P3-P6:J3-J6)

OCL (100KHz, 0.1V_{rma}, 8mA):
(P1-P2, P3-P6) 350uH Min

DCR:
(P1-P2, P3-P6) 0.9 OHMS Max

Insertion Loss:
0.5-30MHz: -18dB Min
40MHz: -15.5dB Min
50MHz: -13.6dB Min
60-80MHz: -12dB Min

Cross Talk:
1-100MHz: -38dB Typ

Common Mode Rejection:
01-30MHz: -50dB Typ
30-60MHz: -40dB Typ
60-100MHz: -30dB Typ

Isolation: 1500Vrms

Operating Temperature: -40C to +85C

Rev.	Description	Date	Approved	Drawing	Name	Date
				Approved	Howard	07/10/02
				Checked	Lizzy	07/10/02
				Drawn	Tina	07/10/02
				0.0 ± 0.35	0.00 ± 0.20	Angles ± 3'
					UNIT: mm	

Central Components Manufacturing
440 Lincoln Blvd., Middlesex, New Jersey 08846
Phone 732 469-5720 888 288-5152 Fax 732 469-1919

Part No.: **CTJ-8-08-13F67BLXX-D1-BK-PX-FS-PG6**

Description: RJ45 Connector with 10/100 Base-TX Integrated Magnetics