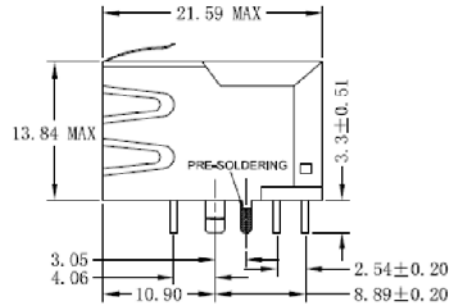
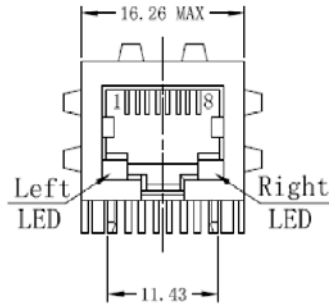


PC Board Layout
Component Side Shown



SPECIFICATIONS

- Turn Ratio: 1CT:1CT
- OCL: 350uH MIN
- Insertion Loss: -1.0dB (1-100MHz)
- Return Loss: -16dB(1-30MHz), -16+20log(f/30MHz) dB(30-60MHz) -10dB(60-80MHz)
- Cross Talk: -40dB(1-60MHz), -38dB(60-100MHz)
- CMR: TX:-45dB(1-60MHz), -40dB(60-100MHz)
RX:-40dB(1-60MHz), -35dB(60-100MHz)
- HI-POT: 1500Vrms/0.5mA/60sec or 1650Vrms/0.5mA/2sec
- Housing Material: Nylon GF UL94V-0, Black
- Insert Material: Phos-Bronze C5210 EH—0.35mm Thickness
- Plate Material: BTP GF UL94V-0
- Contact Material: Phos-Bronze C5191—0.35mm Thickness
- Shielding Material: Brass C2680, Nickel Plating
- Operating Life: 750 Cycles Min
- Storage Temp: -40C to +85C
- Operating Temp: 0C to +70C

UNIT:mm Unless otherwise specified, all tolerances are ±0.25

Series	Positions	Contacts	Body Style	LED	Color	Plating	Options	Panel Grounds
CTJ	8	08	13F611L	GY	BK	PX	XX	PGX
Modular jack	8 positions	8 contacts	13F611L style	G=Green LED (left) Y=Yellow LED (right)	BK=Black	P1=15µ" gold P2=30µ" gold P3=50µ" gold	[blank]=None FS=Full shield	1=Top (single) 2=Top 4=Sides 6=Top & sides

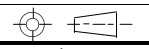
RoHS compliant

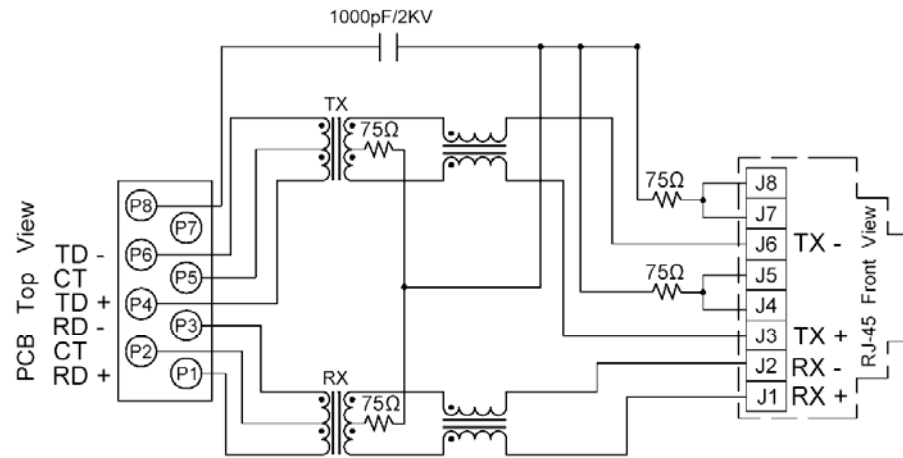
Rev.	Description	Date	Approved	Drawing	Name	Date
				Approved	Howard	07/16/10
				Checked	Lizzy	07/16/10
				Drawn	Tina	07/16/10
				0.0 ± 0.35	0.00 ± 0.20	Angles ± 3'
				UNIT: mm		

Central Components Manufacturing
 440 Lincoln Blvd., Middlesex, New Jersey 08846
 Phone 732 469-5720 888 288-5152 Fax 732 469-1919

Part No.: **CTJ-8-08-13F61LGY-BK-P1-FS-PG6**

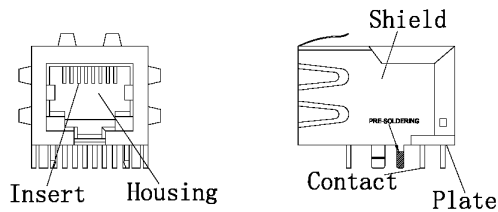
Description: 10/100 Base-T Single Port RJ-45 Jack w/ Magnetics





Standard LED	Wavelength	Forward*V(MAX)	TYP
Green	565nm	2.5v	2.2v
Yellow	585nm	2.5v	2.1v

With a forward current of 20mA



Rev.	Description	Date	Approved	Drawing	Name	Date
				Approved	Howard	07/16/10
				Checked	Lizzy	07/16/10
				Drawn	Tina	07/16/10
				0.0 ± 0.35	0.00 ± 0.20	Angles ± 3'
					UNIT: mm	

Central Components Manufacturing
440 Lincoln Blvd., Middlesex, New Jersey 08846
Phone 732 469-5720 888 288-5152 Fax 732 469-1919

Part No.: **CTJ-8-08-13F61LGY-BK-P1-FS-PG6**

Description: 10/100 Base-T Single Port RJ-45 Jack w/ Magnetics