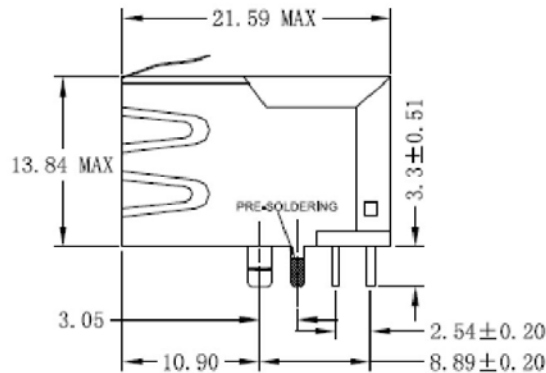
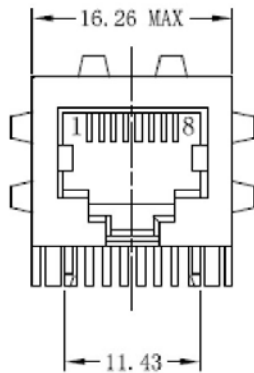
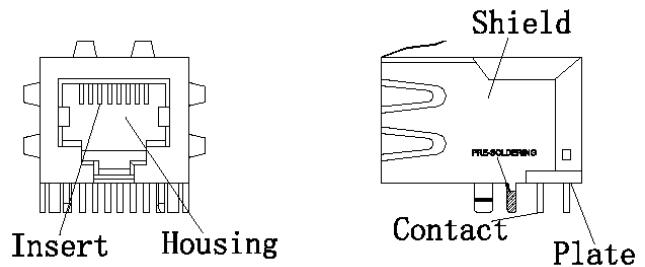


PC Board Layout  
Component Side Shown



**SPECIFICATIONS**

Housing Material: Nylon UL94V-0, Black  
 Insert Material: Phos-Bronze C5210 EH—0.35mm Thick  
 PBT GF UL94V-0  
 1. Plating (1) Nickel  
 2. Plating (2) 100%Tin  
 3. Plating (3) Gold (3u" ~50u")  
 Plate Material: PBT GF UL94V-0  
 Contact Material: Phos Bronze C2680—0.35mm Thick  
 1. Plating (1) Nickel  
 2. Plating (2) 100% Tin  
 Shield Material: Brass SUS430—0.25mm Thick  
 Nickel Plating  
 Turn Ratio: 1CT:1CT  
 OCL: 350uH Min  
 Insertion Loss (dB TYP): -1.0dB(1-65JHz)  
 Return Loss (dB TYP): -20dB(1-10MHz), -16dB(10-30MHz),  
 -12dB(30-60MHz), -10dB(60-80MHz)  
 Crosstalk dB TYP): -40dB(1-30MHz), -35dB(30-60MHz),  
 -30dB(60-100MHz)  
 CMR (dB TYP): -30dB(1-50MHz); -20dB(50-150MHz)  
 HI-POT: 1500Vrms/0.5mA/60Sec or  
 1650Vrms/0.5mA/2Sec.  
 Durability: 750 CYCLES MIN.  
 Operating Temp: -40C to +85C



RoHS compliant

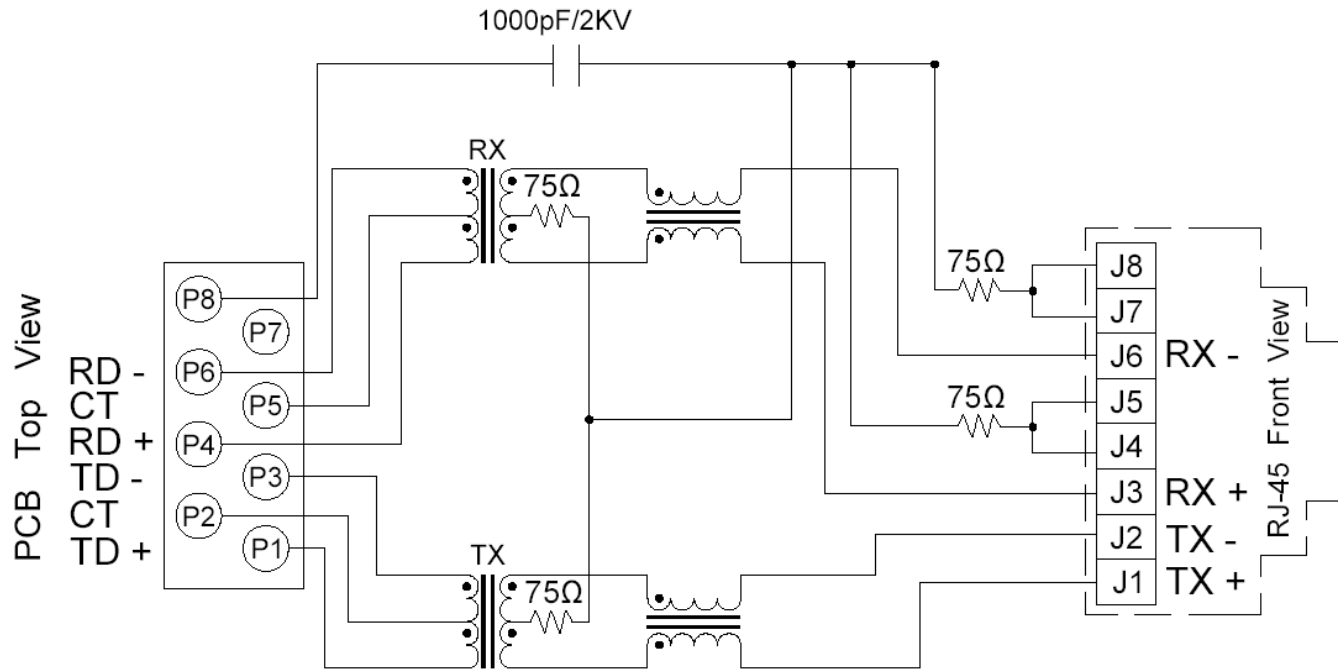
Rev.	Description	Date	Approved	Drawing	Name	Date
				Approved	Howard	03/01/09
				Checked	Lizzy	03/01/09
				Drawn	Tina	03/01/09
				0.0 ± 0.35	0.00 ± 0.20	Angles ± 3'
				UNIT: mm		

**Central Components Manufacturing**  
 440 Lincoln Blvd., Middlesex, New Jersey 08846  
 Phone 732 469-5720 888 288-5152 Fax 732 469-1919

Part No.: **CTJ-8-08-13F614ND-BK-P1-FS-PG6**

Description: 10/100 Base-T Single Port RJ-45 Jack

# SCHEMATIC



RoHS compliant

Rev.	Description	Date	Approved	Drawing	Name	Date
				Approved	Howard	03/01/09
				Checked	Lizzy	03/01/09
				Drawn	Tina	03/01/09
				0.0 ± 0.35	0.00 ± 0.20	Angles ± 3'
					UNIT: mm	

**Central Components Manufacturing**  
 440 Lincoln Blvd., Middlesex, New Jersey 08846  
 Phone 732 469-5720 888 288-5152 Fax 732 469-1919

Part No.: **CTJ-8-08-13F614ND-BK-P1-FS-PG6**

Description: 10/100 Base-T Single Port RJ-45 Jack