

SUGGESTED PCB LAYOUT (TOP VIEW)

**SPECIFICATIONS**

Housing Material: Thermoplastic UL94V-0  
 Contact/Shield: Copper Alloy  
 Contact Plating: Gold 6 micro-inches min. in contact area  
 Wave Solder Tip Temp: 265C Max @ 5 Seconds Max

Series	Positions	Contacts	Style	Color	Plating	Options	Panel Grounds
CTJ	8	08	0213	BK	PX	XX	PGX
Modular jack	8 positions	8 contacts	0213 Style With Magnetics	BK=Black	P1=15μ" gold P2=30μ" gold P3=50μ" gold	[blank]=None FS=Full shield	Blank=None 1=Top (single) 2=Top 4=Sides 6=Top & sides

**RoHS compliant**

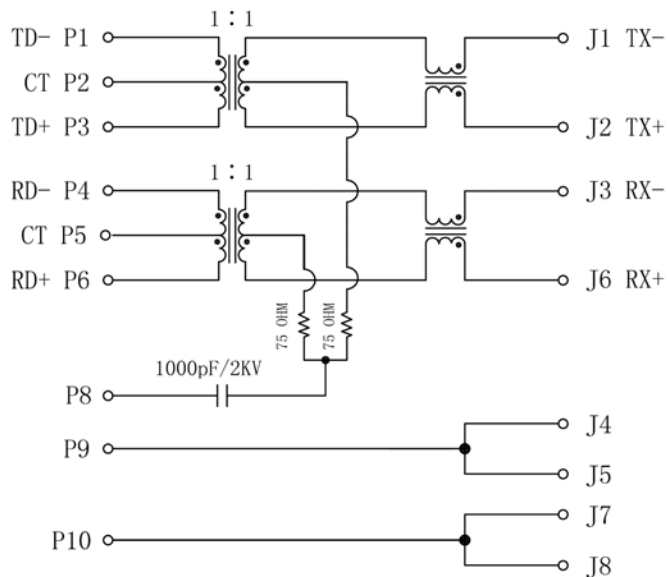
Rev.	Description	Date	Approved	Drawing	Name	Date
				Approved	Howard	05/11/11
				Checked	Lizzy	05/11/11
				Drawn	Tina	05/11/11
				0.0 ± 0.35	0.00 ± 0.20	Angles ± 3'
				UNIT: mm		

**Central Components Manufacturing**  
 440 Lincoln Blvd., Middlesex, New Jersey 08846  
 Phone 732 469-5720 888 288-5152 Fax 732 469-1919

Part No.: **CTJ-8-08-0213-BK-PX**

Description: Vertical RJ45 Connector With 10/100 Base TX Magnetics

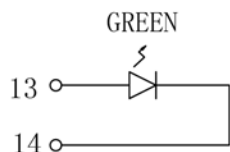
PC BOARD CONNECTIONS



RJ45 CONNECTOR

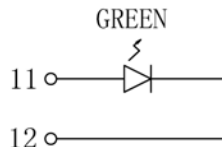
SPECIFICATIONS

Turns Ratio(±3%): TX=1CT:1CT RX=1CT:1CT  
 Inductance: 350uH Min @ 100KHz, 0.1V, 8mA DC Bias  
 Insertion Loss: 0.1-100MHz: -1.1dB Max  
 Return Loss: -18dB MIN @ 1-30MHz  
 -12dB MIN @ 31-80MHz  
 -35dB TYP @ 1-100MHz  
 Crosstalk: Differential to Common  
 Mode Attenuation: -40dB TYP @ 1-100MHz  
 Hipot: 1500Vrms  
 Operating Temp: 0C ~ 70C



LEFT LED

LED POLARITY		COLOR
PIN 13	PIN 14	
+	-	GREEN



RIGHT LED

LED POLARITY		COLOR
PIN 11	PIN 12	
+	-	GREEN

Rev.	Description	Date	Approved	Drawing	Name	Date
				Approved	Howard	05/11/11
				Checked	Lizzy	05/11/11
				Drawn	Tina	05/11/11
				0.0 ± 0.35	0.00 ± 0.20	Angles ± 3'
						UNIT: mm



**Central Components Manufacturing**

440 Lincoln Blvd., Middlesex, New Jersey 08846  
 Phone 732 469-5720 888 288-5152 Fax 732 469-1919

Part No.: **CTJ-8-08-0213-BK-PX**

Description: Vertical RJ45 Connector With 10/100 Base TX Magnetics