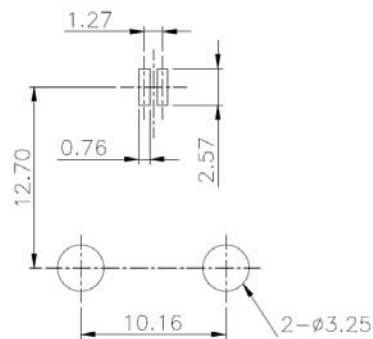


PCB LAYOUT/TOP VIEW



**SPECIFICATIONS**

Plastic Housing: High Temp. Thermoplastic  
 Flammability Rating UL94V-0  
 Contacts: Phosphor Bronze  
 Plating: Gold over Nickel in Contact Area  
 Tin Plating over Nickel in Solder Area

RoHS compliant

Series	Positions	Contacts	Body Style	Color	Plating	Options
CTJ	X	XX	3019S	BK	PX	XX
Modular jack, single port	6,8,10	02,04,06,08,10	Side entry surface mount	BK=Black	P0=6μ" gold P1=15μ" gold P2=30μ" gold P3=50μ" gold	[blank]=None KY=Keyed WF=No Flange

Rev.	Description	Date	Approved	Drawing	Name	Date
				Approved	Howard	08/10/04
				Checked	Lizzy	08/10/04
				Drawn	Tina	08/10/04
				0.0 ± 0.35	0.00 ± 0.20	Angles ± 3'
				UNIT: mm		

**Central Components Manufacturing**  
 440 Lincoln Blvd., Middlesex, New Jersey 08846  
 Phone 732 469-5720 888 288-5152 Fax 732 469-1919

Part No.: **CTJ-8-02-3019S-BK-PX**

Description: Side Entry PCB Jack

	1	2	3	4	5	6	7	8	9
A									
B									
C									
D									
E									
F									
G									
	1	2	3	4	5	6	7	8	9