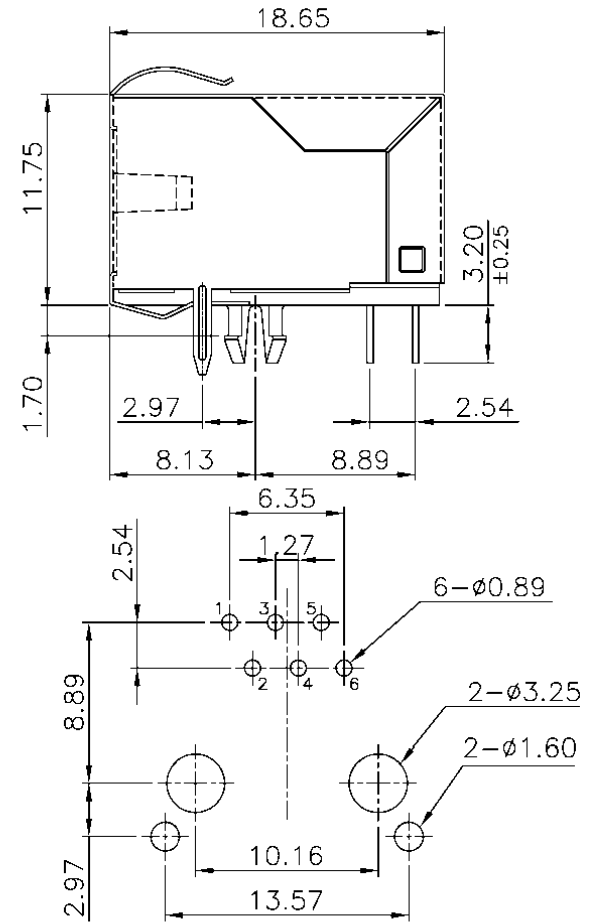
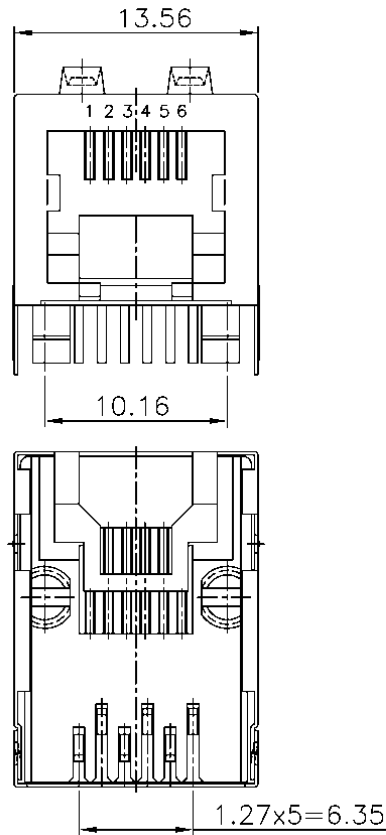


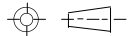

**SPECIFICATIONS**

Contacts: Phosphor bronze  
 Contact plating: Gold over nickel contact area  
 Tin on solder tails  
 Housing: Thermoplastic, UL 94V-0  
 Shield material: Brass  
 Shield plating: Nickel



PCB LAYOUT/TOP VIEW

RoHS compliant

Rev.	Description	Date	Approved	Drawing	Name	Date
				Approved	Howard	08/10/99
				Checked	Lizzy	08/10/99
				Drawn	Tina	08/10/99
				0.0 ± 0.35	0.00 ± 0.20	Angles ± 3°
				 UNIT: mm		
						 <b>Central Components Manufacturing</b> 440 Lincoln Blvd., Middlesex, New Jersey 08846 Phone 732 469-5720 888 288-5152 Fax 732 469-1919
						Part No.: <b>CTJ-6-06-A3-BK-PX-FS1-PGX</b>
						Description: Modular jack, right angle, 6 positions, 6 contacts, full shield, type A3