

SPECIFICATIONS

Housing: Nylon 46 UL 94V-0
 Contacts: 0.35mm phos Bronze
 Plating: Gold
 Hold down: 0.40mm copper alloy tin plated

Series	Positions	Contacts	Body	Color	Plating
CTJ	X	XX	739	BK	PX
Modular phone jack	6=6 positions	06=6 contacts	Top entry, surface mount with flange	BK=Black	P1=15µ" gold P2=30µ" gold P3=50µ" gold

RoHS compliant

Rev.	Description	Date	Approved	Drawing	Name	Date
				Approved	Howard	08/30/10
				Checked	Lizzy	08/30/10
				Drawn	Tina	08/30/10
				0.0 ± 0.35	0.00 ± 0.20	Angles ± 3'
				UNIT: mm		

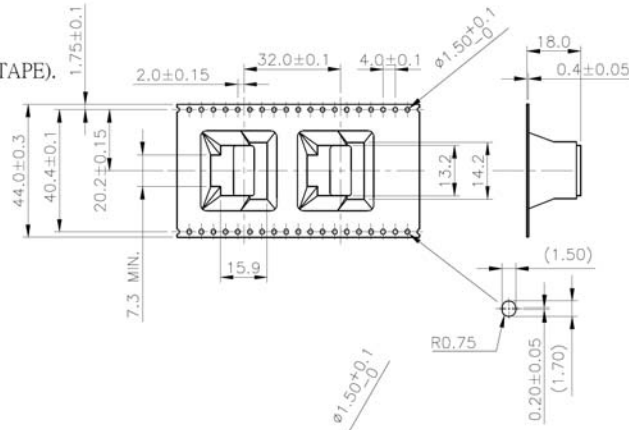
Central Components Manufacturing
 440 Lincoln Blvd., Middlesex, New Jersey 08846
 Phone 732 469-5720 888 288-5152 Fax 732 469-1919

Part No.: **CTJ-6-06-739-BK-PX**

Description: Modular phone jack, top entry surface mount with flange, hi temp material

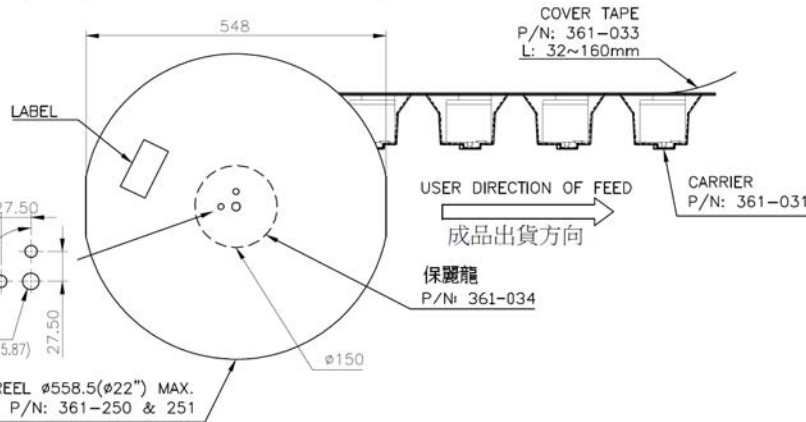
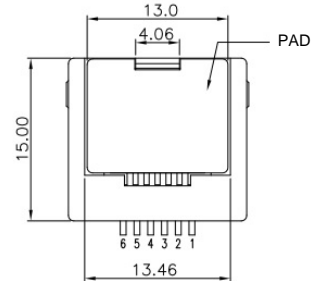
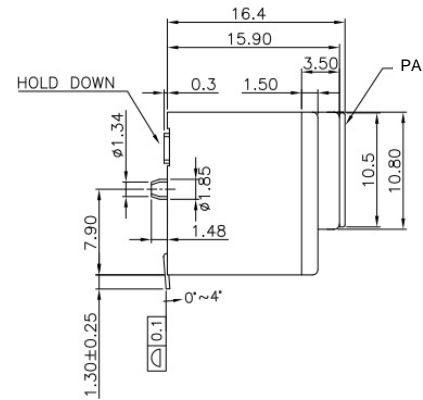
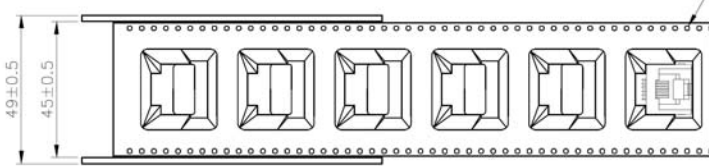
MATERIALS:

1. CARRIER-PS (0.40mm THICK TAPE).
2. REEL-6mm THICK PLASTIC WHEEL.
3. COVER TAPE-PE (0.045mm~0.12mm THICK TAPE).



NOTES:

1. 20 EMPTY CAVITIES FOR BOTH OF TOP AND BOTTOM OF THE CARRIER.
2. 350 PCS PRODUCTS BE PACKAGED ON REEL.
3. 軸外保護帶361-319.



Rev.	Description	Date	Approved	Drawing	Name	Date
				Approved	Howard	08/30/10
				Checked	Lizzy	08/30/10
				Drawn	Tina	08/30/10
				0.0 ± 0.35	0.00 ± 0.20	Angles ± 3'
				UNIT: mm		

Central Components Manufacturing
 440 Lincoln Blvd., Middlesex, New Jersey 08846
 Phone 732 469-5720 888 288-5152 Fax 732 469-1919

Part No.: **CTJ-6-06-739-BK-PX**

Description: Modular phone jack, top entry surface mount with flange, hi temp material