

SPECIFICATIONS

Voltage Rating: 125 VAC RMS
 Current Rating: 1.5 A
 Contact Res.: 20 Milli Ohms
 Insulation Res.: 1000Meg Ohms @500VAC min.
 Housing: LCP UL 94V-0
 Contacts: Phos Bronze T=0.35mm
 Mating/Unmating : 30N
 Retention: NC
 Durability: 750 cycles Min.
 Operating Temp.: -40C to +85C

| Series | Positions | Contacts | Body | Color | Plating |
|--------------------|---------------|---------------|--------------------------------------|----------|---|
| CTJ | X | XX | 1306 | BK | PX |
| Modular phone jack | 6=6 positions | 06=6 contacts | Top entry, surface mount with flange | BK=Black | P0=6μ" gold P1=15μ" gold P2=30μ" gold P3=50μ" gold |

Recommended PCB Layout

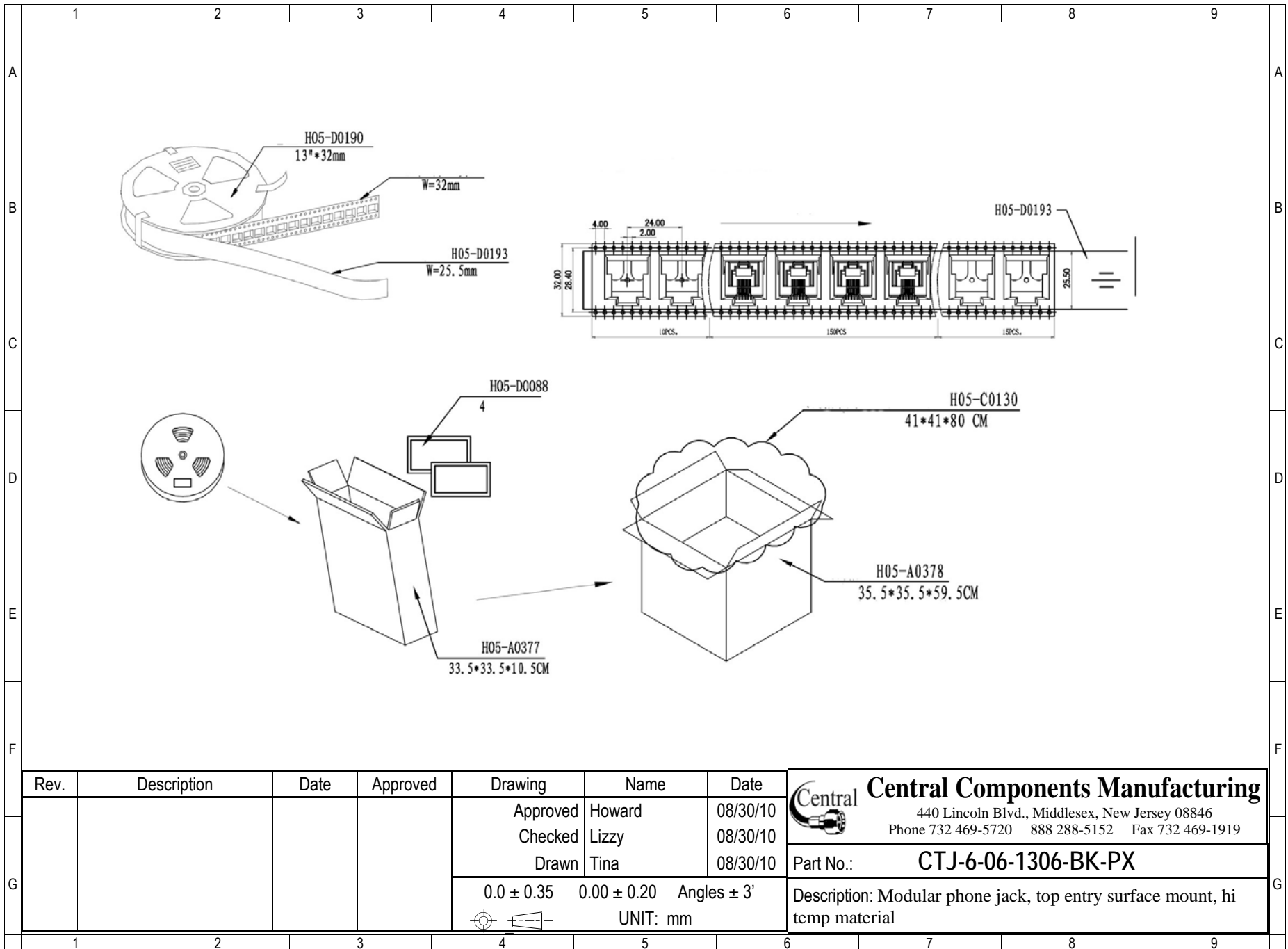
RoHS compliant

| Rev. | Description | Date | Approved | Drawing | Name | Date |
|------|-------------|------|----------|------------|-------------|-------------|
| | | | | Approved | Howard | 08/30/10 |
| | | | | Checked | Lizzy | 08/30/10 |
| | | | | Drawn | Tina | 08/30/10 |
| | | | | 0.0 ± 0.35 | 0.00 ± 0.20 | Angles ± 3' |
| | | | | UNIT: mm | | |


Central Components Manufacturing
 440 Lincoln Blvd., Middlesex, New Jersey 08846
 Phone 732 469-5720 888 288-5152 Fax 732 469-1919

Part No.: **CTJ-6-06-1306-BK-PX**

Description: Modular phone jack, top entry surface mount, hi temp material



| Rev. | Description | Date | Approved | Drawing | Name | Date |
|------|-------------|------|----------|------------|-------------|-------------|
| | | | | Approved | Howard | 08/30/10 |
| | | | | Checked | Lizzy | 08/30/10 |
| | | | | Drawn | Tina | 08/30/10 |
| | | | | 0.0 ± 0.35 | 0.00 ± 0.20 | Angles ± 3' |
| | | | | UNIT: mm | | |


Central Components Manufacturing
 440 Lincoln Blvd., Middlesex, New Jersey 08846
 Phone 732 469-5720 888 288-5152 Fax 732 469-1919

Part No.: **CTJ-6-06-1306-BK-PX**

Description: Modular phone jack, top entry surface mount, hi temp material